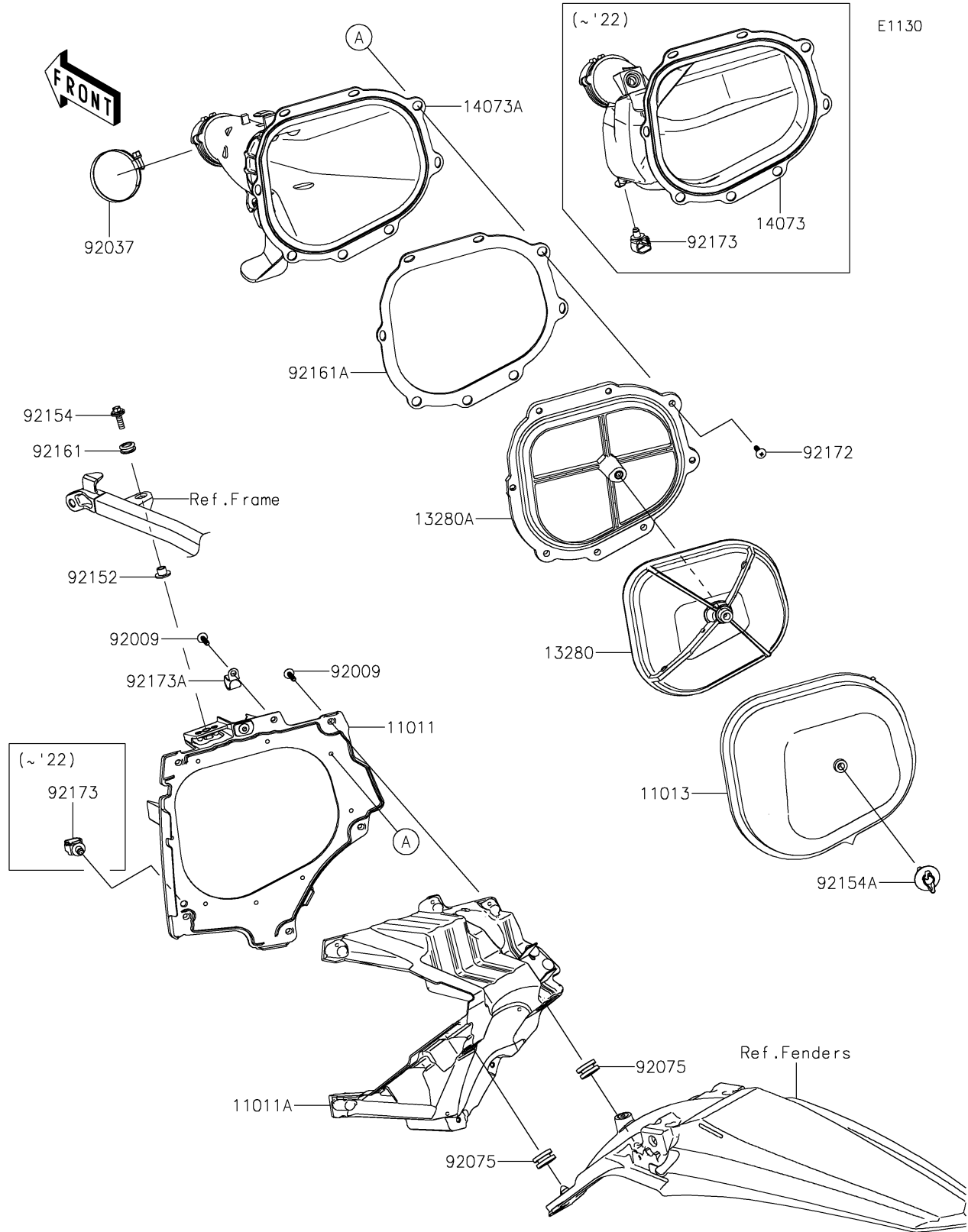


2024 KX™250 50th ANNIVERSARY EDITION PARTS DIAGRAM

Air Cleaner



2024 KX™ 250 50th ANNIVERSARY EDITION PARTS LIST

Air Cleaner

ITEM NAME	PART NUMBER	QUANTITY
CASE-AIR FILTER,FR,L.GREEN (Ref # 11011)	11011-0948-290	1
CASE-AIR FILTER,RR,L.GREEN (Ref # 11011A)	11011-0949-290	1
ELEMENT-AIR FILTER (Ref # 11013)	11013-0811	1
HOLDER,ELEMENT BASE (Ref # 13280)	13280-0913	1
HOLDER,ELEMENT BASE (Ref # 13280A)	13280-0988	1
DUCT (Ref # 14073A)	14073-1877	1
SCREW,TAPPING,5X20 (Ref # 92009)	92009-1993	6
CLAMP,RESERVE TANK (Ref # 92037)	92037-1586	1
DAMPER,10X24X12 (Ref # 92075)	92075-1690	2
COLLAR (Ref # 92152)	92152-1449	1
BOLT,FLANGED,6X20 (Ref # 92154)	92154-1268	1
BOLT,WING,6X35 (Ref # 92154A)	92154-2943	1
DAMPER (Ref # 92161)	92161-0266	1
DAMPER,HOLDER (Ref # 92161A)	92161-2319	1
SCREW,TAPPING,5X20 (Ref # 92172)	92172-0382	8
CLAMP (Ref # 92173A)	92173-1549	1