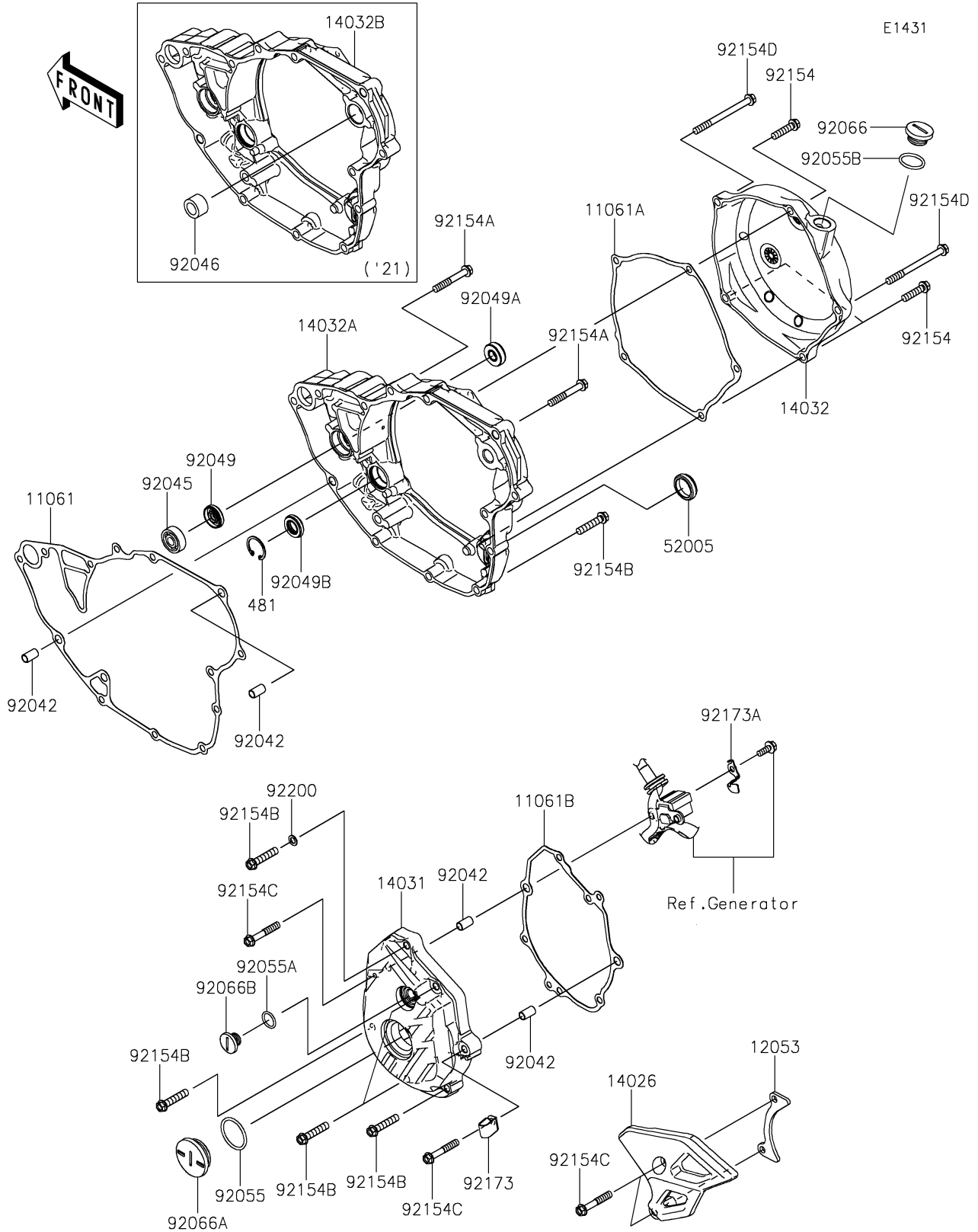


2024 KX™ 250 PARTS DIAGRAM

Engine Cover(s)



2024 KX™ 250 PARTS LIST

Engine Cover(s)

ITEM NAME	PART NUMBER	QUANTITY
GASKET,INNER (Ref # 11061)	11061-1375	1
GASKET,OUTER (Ref # 11061A)	11061-1376	1
GASKET,GENERATOR (Ref # 11061B)	11061-1377	1
GUIDE-CHAIN (Ref # 12053)	12053-0258	1
COVER-CHAIN (Ref # 14026)	14026-0144	1
COVER-GENERATOR (Ref # 14031)	14031-0651	1
COVER-CLUTCH,OUTER (Ref # 14032)	14032-0672	1
COVER-CLUTCH,INNER (Ref # 14032A)	14032-0686	1
GAUGE,OIL LEVEL (Ref # 52005)	52005-0019	1
PIN,DOWEL,6.3X8X14 (Ref # 92042)	92042-007	4
BEARING-BALL,#628 (Ref # 92045)	92045-1123	1
SEAL-OIL,SD 8 22 5 ZS (Ref # 92049)	92049-0060	1
SEAL-OIL (Ref # 92049A)	92049-0061	1
SEAL-OIL,TVCX13X22X5.5 (Ref # 92049B)	92049-0762	1
RING-O,27.7X2.4 (Ref # 92055)	92055-091	1
RING-O,13.0X1.9 (Ref # 92055A)	92055-1011	1
RING-O,20X2 (Ref # 92055B)	92055-1146	1
PLUG,18X9 (Ref # 92066)	92066-0969	1
PLUG,30X8 (Ref # 92066A)	92066-0970	1
PLUG,12X9.1 (Ref # 92066B)	92066-0971	1
BOLT,FLANGED,6X25 (Ref # 92154)	92154-2967	3
BOLT,6X40 (Ref # 92154A)	92154-2968	2
BOLT,FLANGED,6X30 (Ref # 92154B)	92154-2977	11
BOLT,FLANGED,6X35 (Ref # 92154C)	92154-2978	4
BOLT,FLANGED,6X70 (Ref # 92154D)	92154-2981	2
CLAMP (Ref # 92173)	92173-1828	1
CLAMP (Ref # 92173A)	92173-1855	1
WASHER,6.1X10.0X1.0 (Ref # 92200)	92200-0190	1
CIRCLIP-TYPE-C,22MM (Ref # 481)	481J2200	1