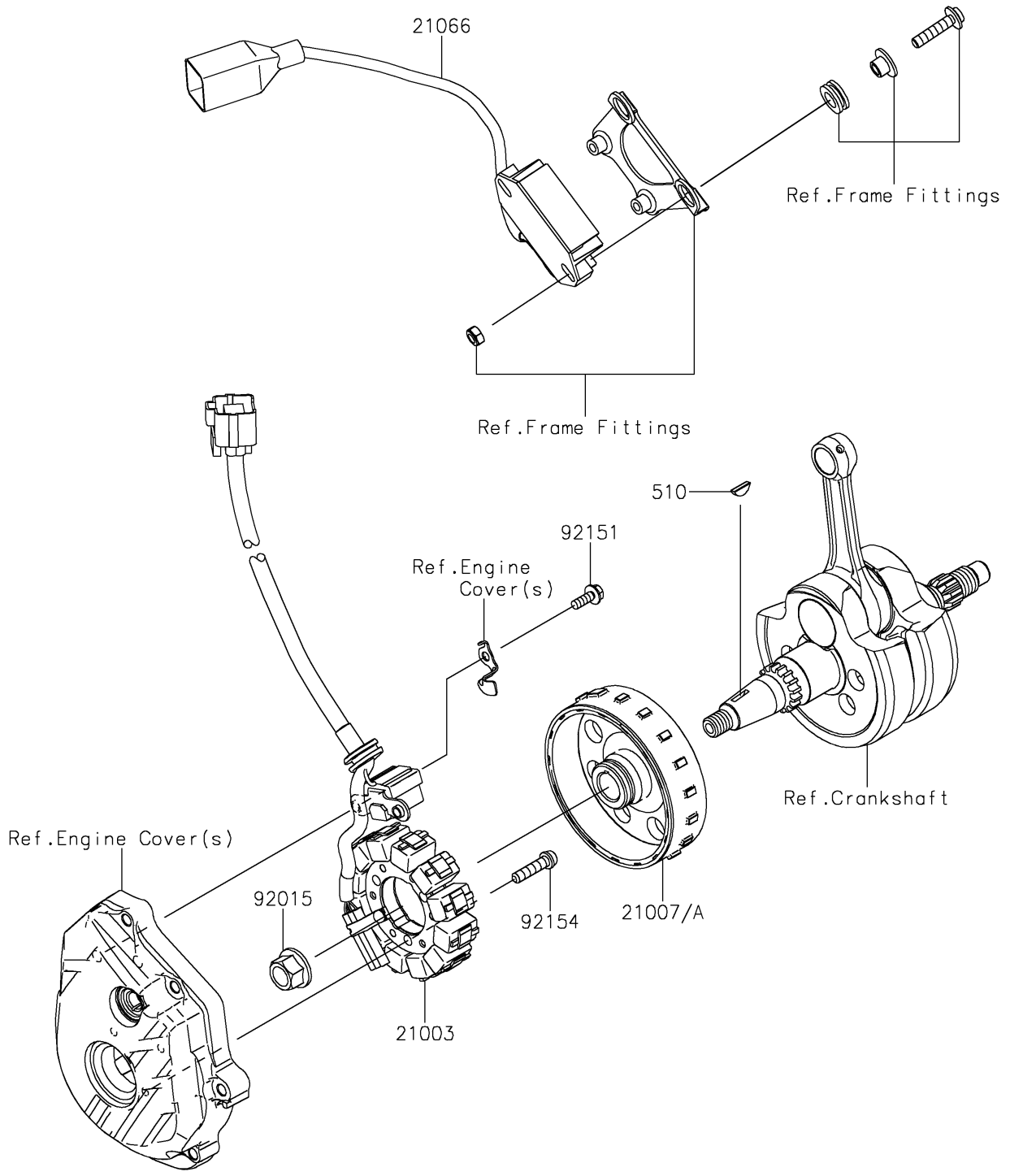


2024 KX™ 250 PARTS DIAGRAM

Generator

E1810



2024 KX™ 250 PARTS LIST

Generator

ITEM NAME	PART NUMBER	QUANTITY
STATOR (Ref # 21003)	21003-0205	1
ROTOR (Ref # 21007)	21007-0703	1
ROTOR (Ref # 21007A)	21007-0723	1
REGULATOR-VOLTAGE (Ref # 21066)	21066-0743	1
NUT,12MM (Ref # 92015)	92015-1426	1
BOLT,5X14 (Ref # 92151)	92151-1764	2
BOLT,SOCKET,6X25 (Ref # 92154)	92154-2793	3
KEY-WOODRUFF (Ref # 510)	510A3200	1