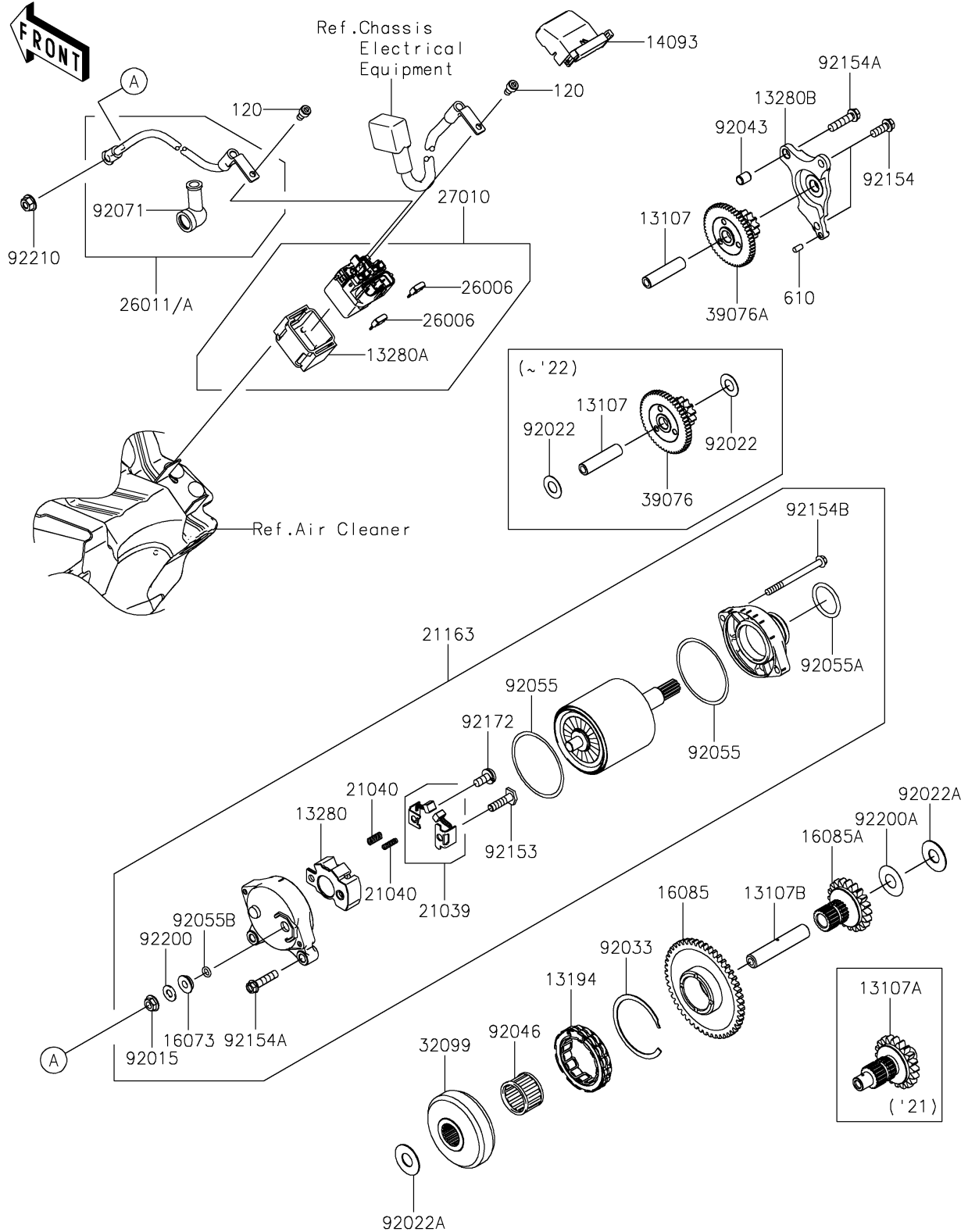


# 2024 KX™ 250 PARTS DIAGRAM

## Starter Motor

E1840



## 2024 KX™ 250 PARTS LIST

### Starter Motor

ITEM NAME	PART NUMBER	QUANTITY
SHAFT,IDLER (Ref # 13107)	13107-0917	1
SHAFT (Ref # 13107B)	13107-0946	1
CLUTCH-ONEWAY (Ref # 13194)	13194-3705	1
HOLDER (Ref # 13280)	13280-0261	1
HOLDER,MAGNETIC SWITCH (Ref # 13280A)	13280-0814	1
HOLDER,LIMITER (Ref # 13280B)	13280-0993	1
COVER,MAGNETIC SWITCH (Ref # 14093)	14093-0716	1
INSULATOR (Ref # 16073)	16073-0053	1
GEAR,49T (Ref # 16085)	16085-0703	1
GEAR,20T (Ref # 16085A)	16085-0710	1
BRUSH,CARBON SET (Ref # 21039)	21039-0005	1
SPRING-BRUSH (Ref # 21040)	21040-0003	2
STARTER-ELECTRIC (Ref # 21163)	21163-0789	1
FUSE,10A (Ref # 26006)	26006-0033	2
WIRE-LEAD (Ref # 26011)	26011-1918	1
WIRE-LEAD (Ref # 26011A)	26011-2427	1
SWITCH,MAGNETIC (Ref # 27010)	27010-0879	1
CASE (Ref # 32099)	32099-0812	1
LIMITER (Ref # 39076)	39076-0042	1
LIMITER (Ref # 39076A)	39076-0045	1
NUT,STARTER MOTOR (Ref # 92015)	92015-1476	1
WASHER,10.2X20X0.5 (Ref # 92022)	92022-1649	2
WASHER,12X27.5X1.0 (Ref # 92022A)	92022-1852	2
RING-SNAP (Ref # 92033)	92033-3731	1
PIN,DOWEL,8X10 (Ref # 92043)	92043-1302	1
BEARING-NEEDLE,RS263020 (Ref # 92046)	92046-0004	1
RING-O (Ref # 92055)	92055-0136	2
RING-O (Ref # 92055A)	92055-1276	1
RING-O,4.5X2.0 (Ref # 92055B)	92055-1370	1

## 2024 KX™ 250 PARTS LIST

### Starter Motor

ITEM NAME	PART NUMBER	QUANTITY
GROMMET (Ref # 92071)	92071-0024	1
BOLT (Ref # 92153)	92153-1866	1
BOLT,FLANGED,6X16 (Ref # 92154)	92154-2965	2
BOLT,FLANGED,6X25 (Ref # 92154A)	92154-2967	3
BOLT (Ref # 92154B)	92154-3958	2
SCREW (Ref # 92172)	92172-0334	1
WASHER (Ref # 92200)	92200-0386	1
WASHER,12.2X27.5X0.2 (Ref # 92200A)	92200-2432	1
NUT,6MM (Ref # 92210)	92210-0188	1
BOLT-SOCKET,5X10 (Ref # 120)	120CB0510	2
ROLLER,4X8 (Ref # 610)	610A0408	1