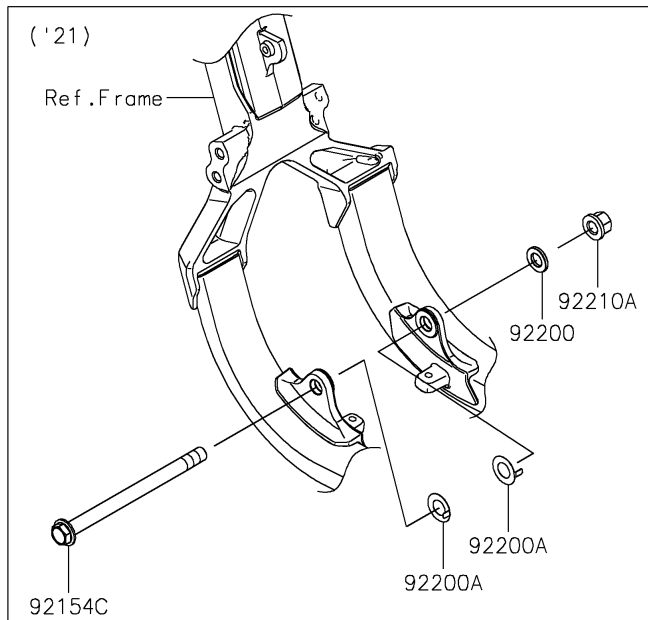
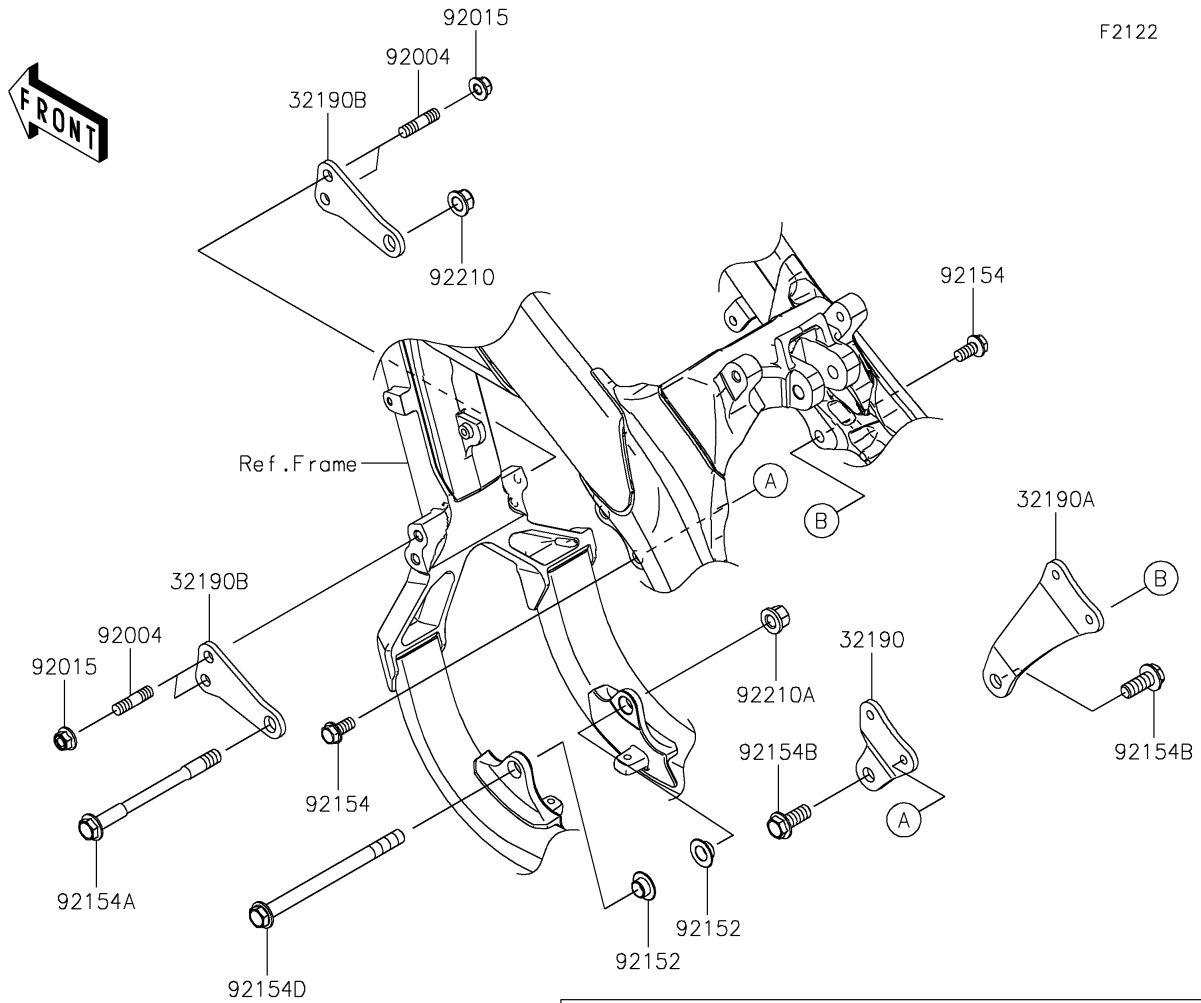


2022 KX™ 250 PARTS DIAGRAM

Engine Mount



2022 KX™ 250 PARTS LIST

Engine Mount

ITEM NAME	PART NUMBER	QUANTITY
BRACKET-ENGINE,UPP,LH (Ref # 32190)	32190-0825	1
BRACKET-ENGINE,UPP,RH (Ref # 32190A)	32190-0826	1
BRACKET-ENGINE,FR,L&R (Ref # 32190B)	32190-0827	2
STUD,8X18/16 (Ref # 92004)	92004-0789	4
NUT,8MM (Ref # 92015)	92015-1432	4
COLLAR (Ref # 92152)	92152-2826	2
BOLT,FLANGED,8X14 (Ref # 92154)	92154-0380	4
BOLT,10X124 (Ref # 92154A)	92154-2941	1
BOLT,FLANGED,10X21.5 (Ref # 92154B)	92154-3993	2
BOLT,FLANGED,10X137 (Ref # 92154C)	92154-4274	1
BOLT,FLANGED,10X137 (Ref # 92154D)	92154-4353	1
WASHER,10.5X19X2.3 (Ref # 92200)	92200-0363	1
WASHER (Ref # 92200A)	92200-2490	2
NUT,LOCK,FLANGED,10MM (Ref # 92210)	92210-1080	1
NUT,10MM (Ref # 92210A)	92210-1868	1