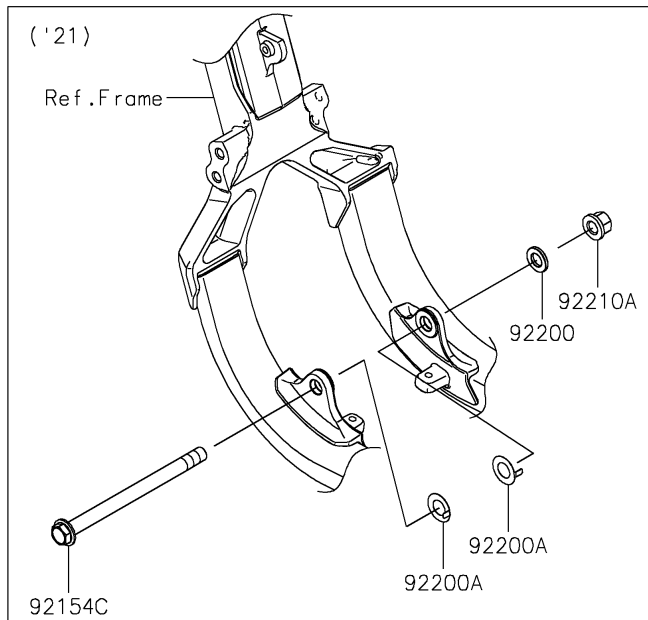
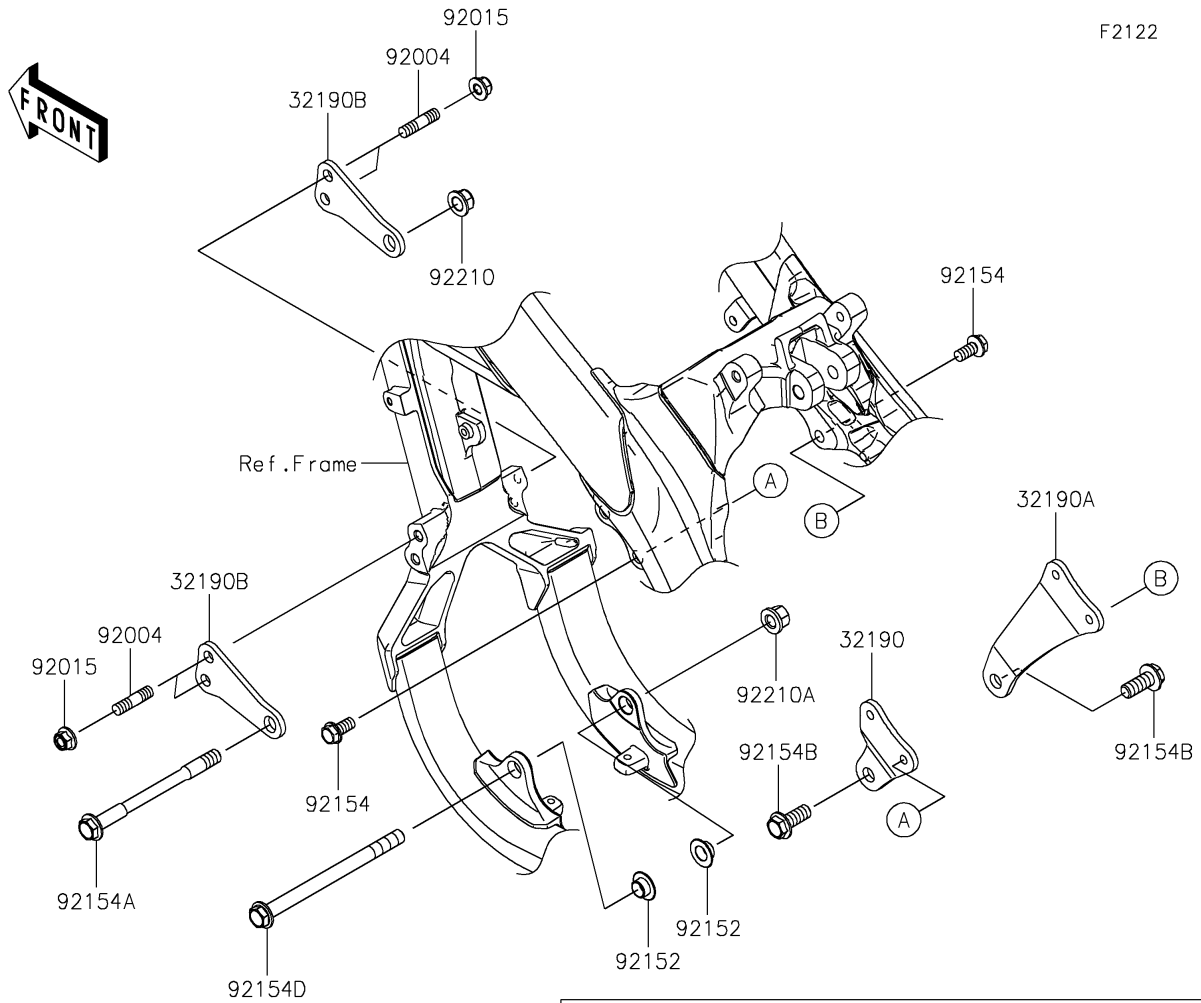


# 2024 KX™ 250 PARTS DIAGRAM

## Engine Mount



## 2024 KX™ 250 PARTS LIST

### Engine Mount

| ITEM NAME                            | PART NUMBER | QUANTITY |
|--------------------------------------|-------------|----------|
| BRACKET-ENGINE,UPP,LH (Ref # 32190)  | 32190-0825  | 1        |
| BRACKET-ENGINE,UPP,RH (Ref # 32190A) | 32190-0826  | 1        |
| BRACKET-ENGINE,FR,L&R (Ref # 32190B) | 32190-0827  | 2        |
| STUD,8X18/16 (Ref # 92004)           | 92004-0789  | 4        |
| NUT,8MM (Ref # 92015)                | 92015-1432  | 4        |
| COLLAR (Ref # 92152)                 | 92152-2826  | 2        |
| BOLT,FLANGED,8X14 (Ref # 92154)      | 92154-0380  | 4        |
| BOLT,10X124 (Ref # 92154A)           | 92154-2941  | 1        |
| BOLT,FLANGED,10X21.5 (Ref # 92154B)  | 92154-3993  | 2        |
| BOLT,FLANGED,10X137 (Ref # 92154D)   | 92154-4353  | 1        |
| NUT,LOCK,FLANGED,10MM (Ref # 92210)  | 92210-1080  | 1        |
| NUT,10MM (Ref # 92210A)              | 92210-1868  | 1        |