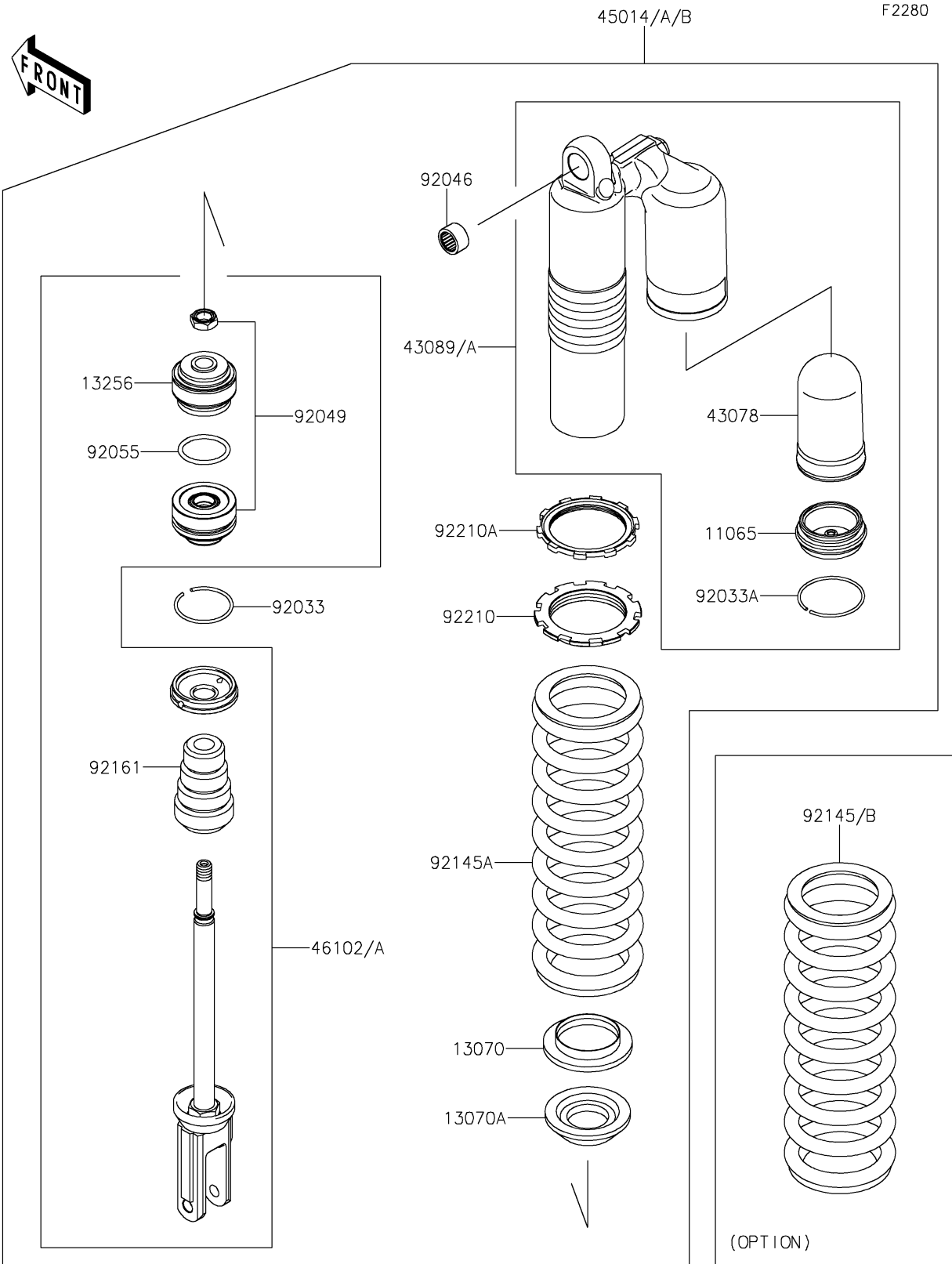


2024 KX™ 250 PARTS DIAGRAM

Shock Absorber(s)



2024 KX™ 250 PARTS LIST

Shock Absorber(s)

| ITEM NAME | PART NUMBER | QUANTITY |
|---|---------------|----------|
| CAP,SUB-TANK (Ref # 11065) | 11065-1355 | 1 |
| GUIDE,SPRING (Ref # 13070) | 13070-0095 | 1 |
| GUIDE,SPRING (Ref # 13070A) | 13070-0953 | 1 |
| PISTON,SHOCKABSORBER (Ref # 13256) | 13256-0006 | 1 |
| RESERVOIR,SHOCKABSORBER (Ref # 43078) | 43078-0611 | 1 |
| CYLINDER-SHOCKABSORBER (Ref # 43089A) | 43089-0036 | 1 |
| SHOCKABSORBER (Ref # 45014A) | 45014-0720 | 1 |
| SHOCKABSORBER (Ref # 45014B) | 45014-0796 | 1 |
| ROD,PISTON (Ref # 46102) | 46102-0653 | 1 |
| ROD,PISTON (Ref # 46102A) | 46102-0676 | 1 |
| RING-SNAP (Ref # 92033) | 92033-0044 | 1 |
| RING-SNAP (Ref # 92033A) | 92033-0826 | 1 |
| BEARING-NEEDLE,7E-HVS16X22X12 (Ref # 92046) | 92046-1301 | 1 |
| SEAL-OIL (Ref # 92049) | 92049-0116 | 1 |
| RING-O (Ref # 92055) | 92055-0165 | 1 |
| SPRING,SHOCK,K=52N/MM,BLACK (Ref # 92145) | 92145-0638-10 | 1 |
| SPRING,SHOCK,K=54N/MM,BLACK (Ref # 92145A) | 92145-0716-10 | 1 |
| SPRING,SHOCK,K=56N/MM,BLACK (Ref # 92145B) | 92145-0762-10 | 1 |
| DAMPER,SHOCKABSORBER (Ref # 92161) | 92161-2348 | 1 |
| NUT,SPRING ADJUST (Ref # 92210) | 92210-0494 | 1 |
| NUT,SPRING ADJUST LOCK (Ref # 92210A) | 92210-0495 | 1 |