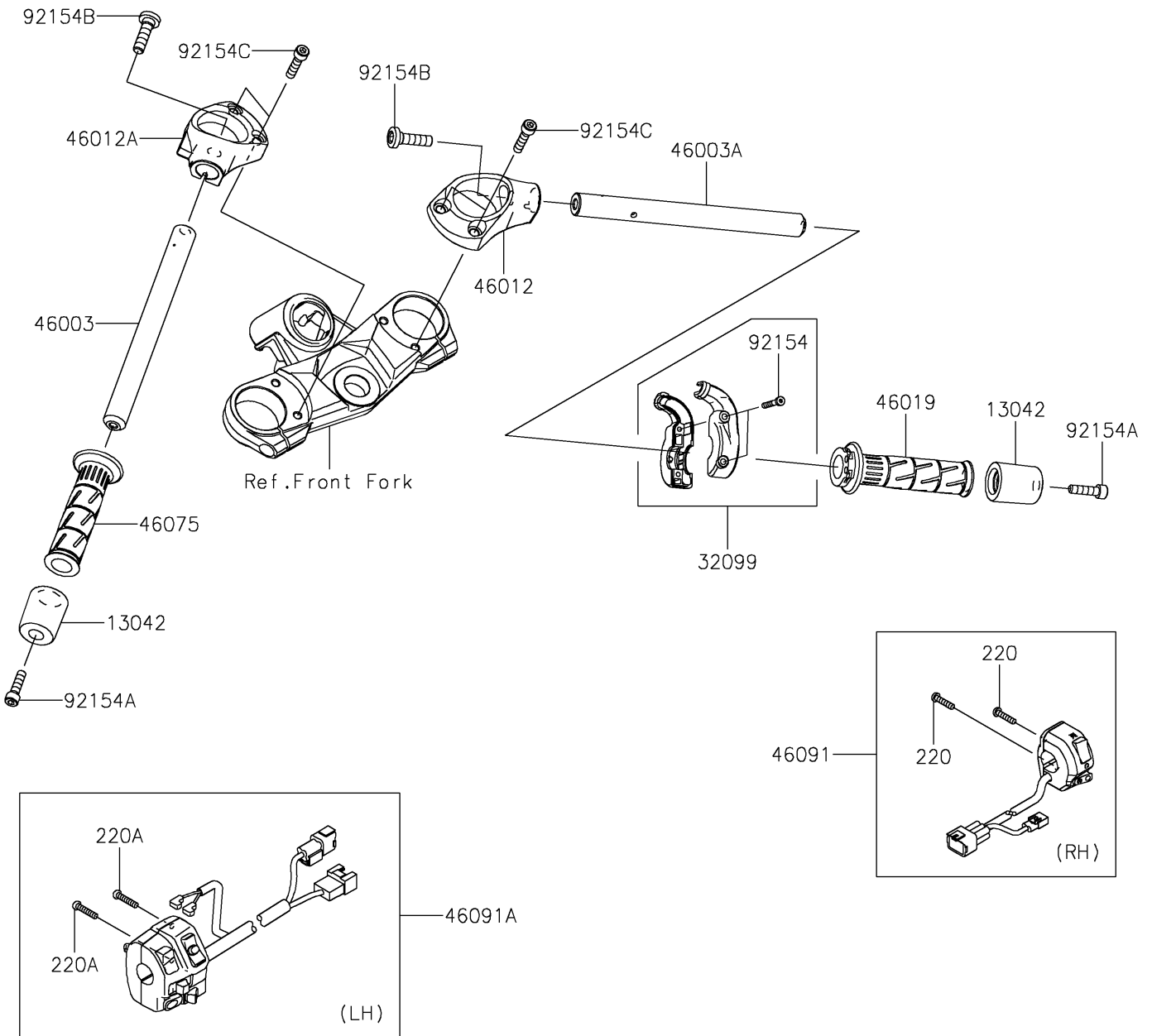


2022 NINJA® ZX™ -14R ABS PARTS DIAGRAM

Handlebar

F2310



2022 NINJA® ZX™ -14R ABS PARTS LIST

Handlebar

| ITEM NAME | PART NUMBER | QUANTITY |
|--|-------------|----------|
| WEIGHT,HANDLE (Ref # 13042) | 13042-5006 | 2 |
| CASE,THROTTLE (Ref # 32099) | 32099-0766 | 1 |
| HANDLE,LH (Ref # 46003) | 46003-0564 | 1 |
| HANDLE,RH (Ref # 46003A) | 46003-0565 | 1 |
| HOLDER-HANDLE,RH (Ref # 46012) | 46012-0316 | 1 |
| HOLDER-HANDLE,LH (Ref # 46012A) | 46012-0317 | 1 |
| GRIP-ASSY,THROTTLE (Ref # 46019) | 46019-0001 | 1 |
| GRIP,HANDLE,LH (Ref # 46075) | 46075-1144 | 1 |
| HOUSING-ASSY-CONTROL,RH (Ref # 46091) | 46091-0321 | 1 |
| HOUSING-ASSY-CONTROL,LH (Ref # 46091A) | 46091-0622 | 1 |
| BOLT,SOCKET,5X35 (Ref # 92154) | 92154-1530 | 2 |
| BOLT,SOCKET,8X30 (Ref # 92154A) | 92154-1866 | 2 |
| BOLT,SOCKET,10X37 (Ref # 92154B) | 92154-2106 | 2 |
| BOLT,SOCKET,8X35 (Ref # 92154C) | 92154-2129 | 4 |
| SCREW-PAN-CROS,5X22 (Ref # 220) | 220AB0522 | 2 |
| SCREW-PAN-CROS,5X25 (Ref # 220A) | 220AB0525 | 2 |