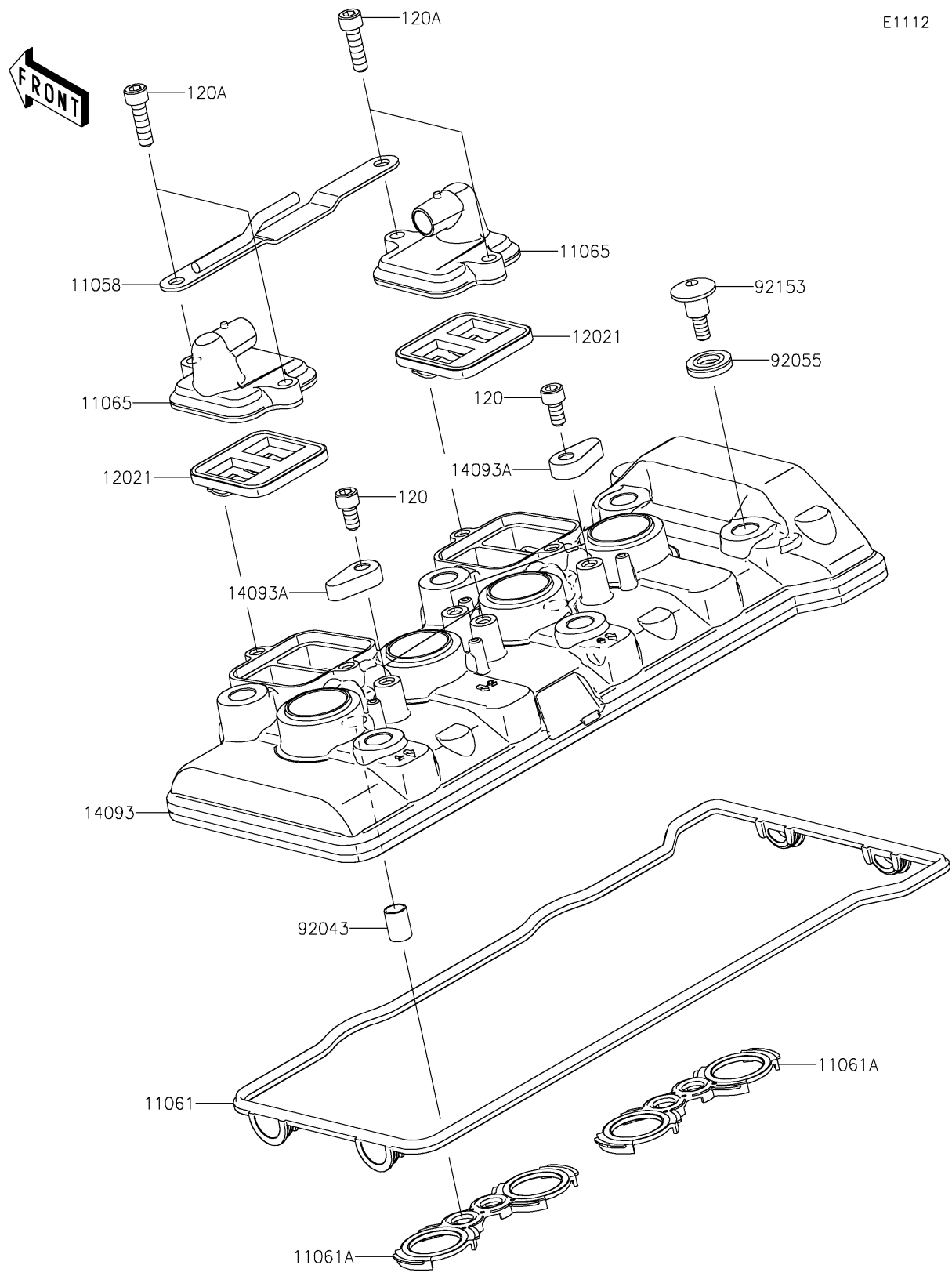


2023 NINJA[®] ZX[™] -4RR KRT EDITION PARTS DIAGRAM

Cylinder Head Cover

E1112



2023 NINJA® ZX™ -4RR KRT EDITION PARTS LIST

Cylinder Head Cover

ITEM NAME	PART NUMBER	QUANTITY
BRACKET,HEAD COVER CAP (Ref # 11058)	11058-0546	1
GASKET,HEAD COVER (Ref # 11061)	11061-1420	1
GASKET,PLUG HOLE (Ref # 11061A)	11061-1464	2
CAP,HEAD COVER (Ref # 11065)	11065-1417	2
VALVE-ASSY-REED (Ref # 12021)	12021-0708	2
COVER,HEAD (Ref # 14093)	14093-1217	1
COVER (Ref # 14093A)	14093-1450	4
PIN,DOWEL,10X14 (Ref # 92043)	92043-1037	4
RING-O (Ref # 92055)	92055-0143	6
BOLT,SOCKET,6X22.5 (Ref # 92153)	92153-1779	6
BOLT-SOCKET,6X12 (Ref # 120)	120CA0612	4
BOLT-SOCKET,6X22 (Ref # 120A)	120CA0622	4