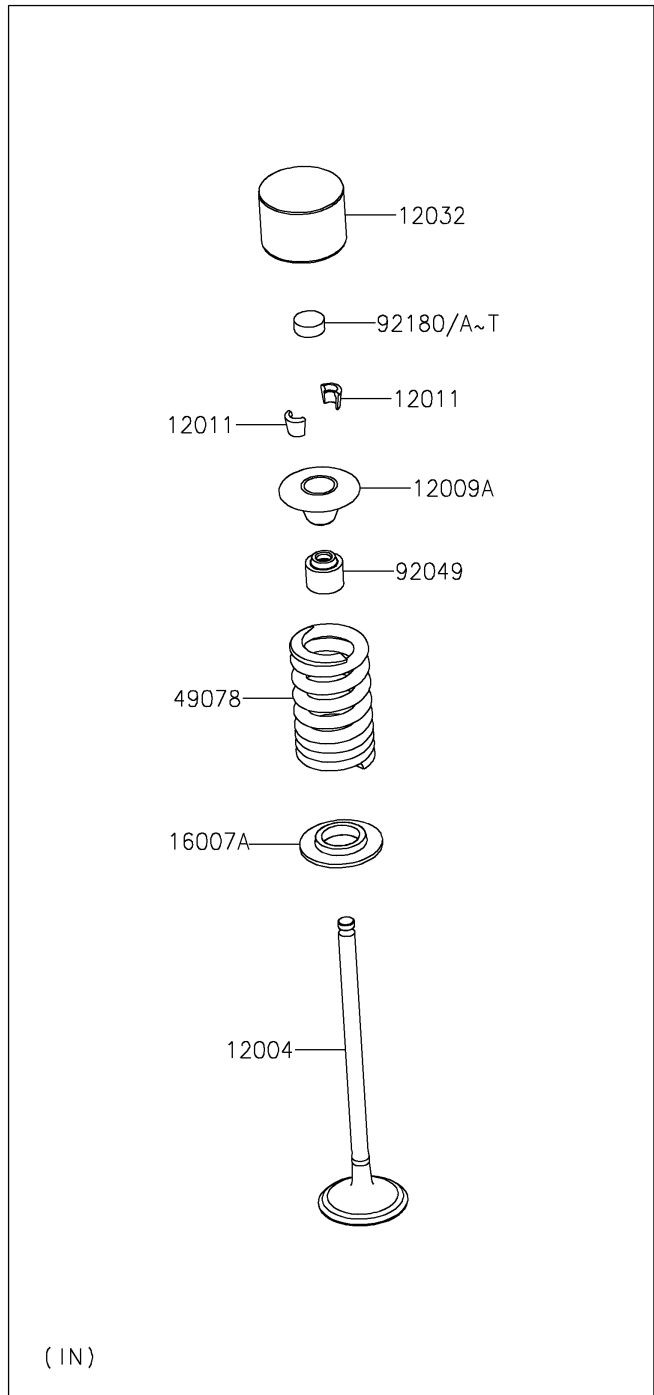
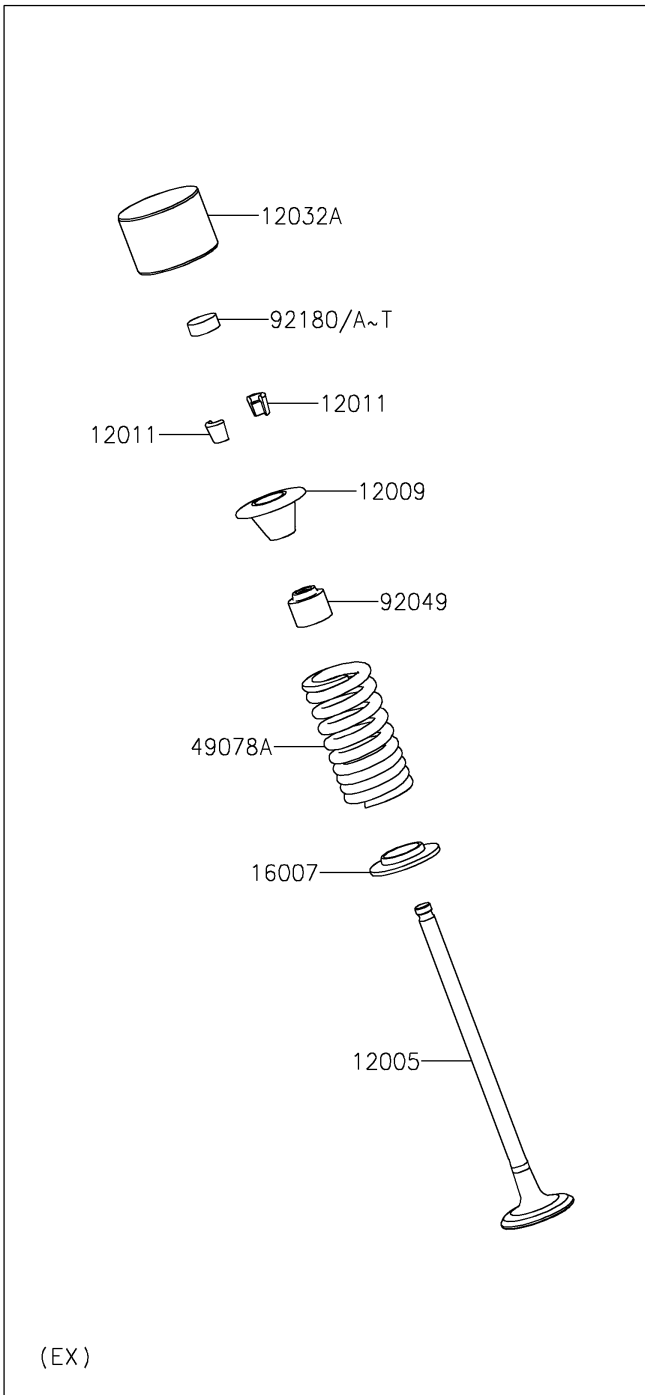


# 2023 Ninja® ZX-4RR PARTS DIAGRAM

Valve(s)

E1210



# 2023 Ninja® ZX-4RR PARTS LIST

Valve(s)

ITEM NAME	PART NUMBER	QUANTITY
-----------	-------------	----------