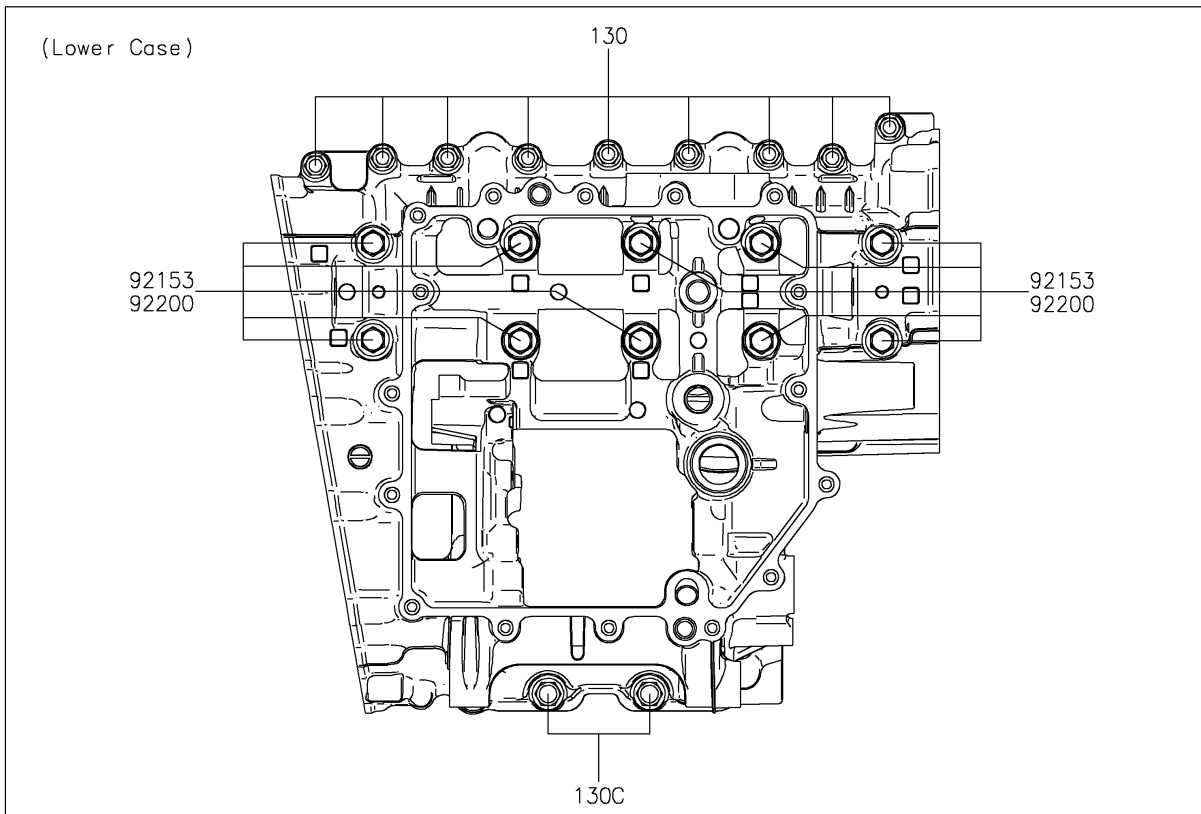
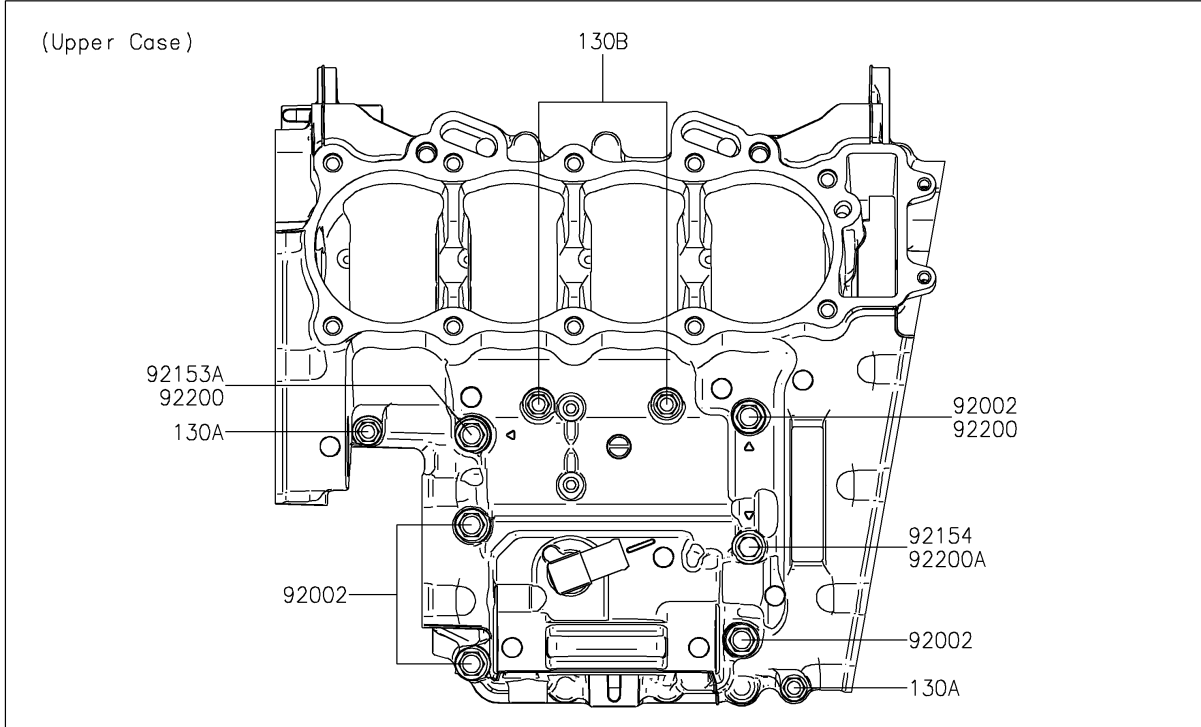


# 2024 NINJA<sup>®</sup> ZX<sup>™</sup> -4RR 40th ANNIVERSARY EDITION ABS PARTS

## DIAGRAM

E1412



## 2024 NINJA® ZX™-4RR 40th ANNIVERSARY EDITION ABS PARTS LIST

### Crankcase Bolt Pattern

ITEM NAME	PART NUMBER	QUANTITY
BOLT,8X80 (Ref # 92002)	92002-1649	4
BOLT,FLANGED,8X95 (Ref # 92153)	92153-1631	10
BOLT,8X50 (Ref # 92153A)	92153-7073	1
BOLT,7X80 (Ref # 92154)	92154-4150	1
WASHER,HEAD (Ref # 92200)	92200-0273	12
WASHER (Ref # 92200A)	92200-0556	1
BOLT-FLANGED,6X30 (Ref # 130)	130CA0630	9
BOLT-FLANGED,6X40 (Ref # 130A)	130CA0640	2
BOLT-FLANGED,6X55 (Ref # 130B)	130CA0655	2
BOLT-FLANGED,8X55 (Ref # 130C)	130CA0855	2