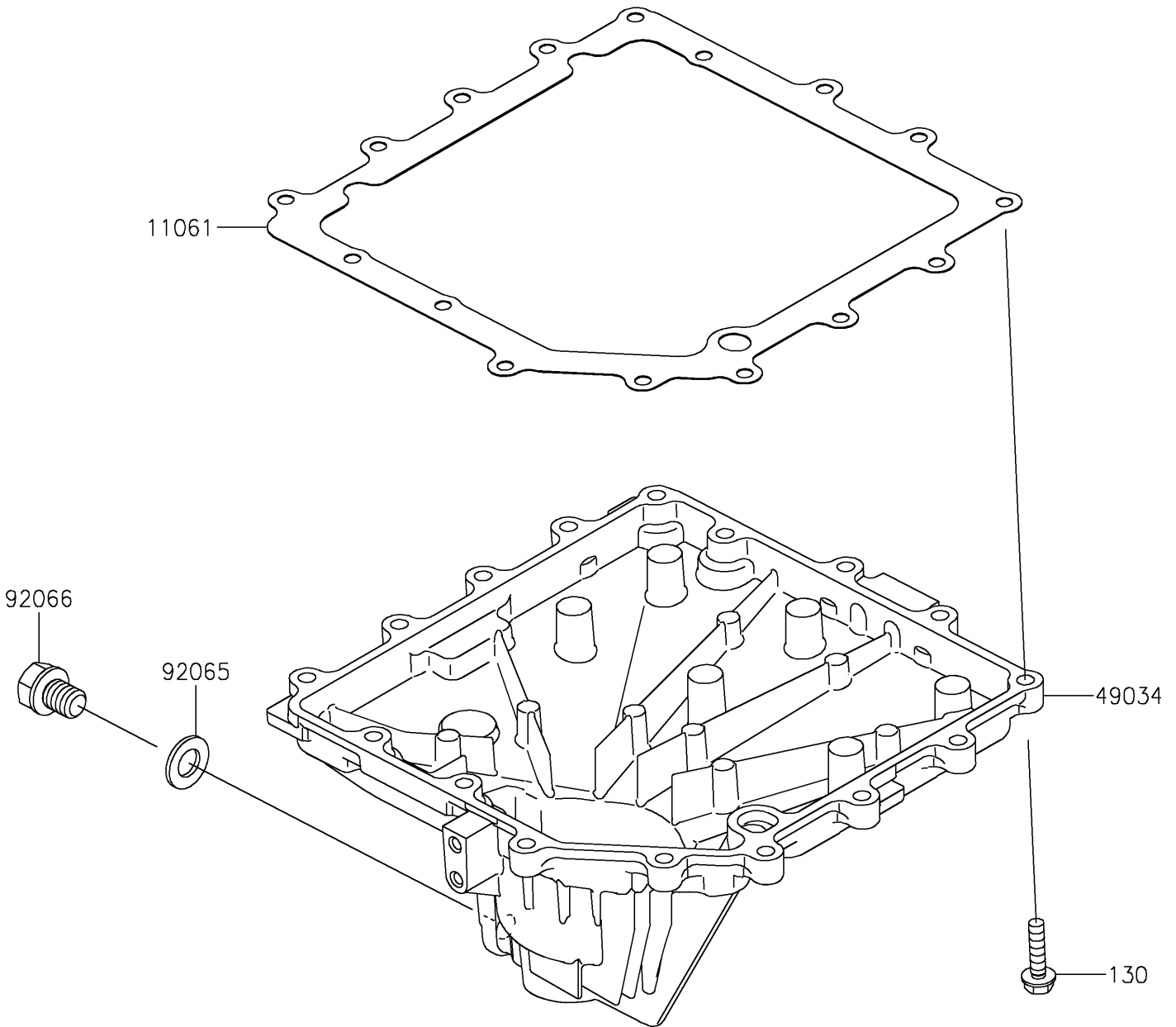


# 2024 NINJA<sup>®</sup> ZX<sup>™</sup>-4RR 40th ANNIVERSARY EDITION ABS PARTS DIAGRAM

E1434



# 2024 NINJA® ZX™-4RR 40th ANNIVERSARY EDITION ABS PARTS LIST

## Oil Pan

ITEM NAME	PART NUMBER	QUANTITY
GASKET,OIL PAN (Ref # 11061)	11061-1328	1
PAN-OIL (Ref # 49034)	49034-0575	1
GASKET,12X22X2 (Ref # 92065)	92065-097	1
PLUG,OIL DRAIN,12X15 (Ref # 92066)	92066-1174	1
BOLT-FLANGED,6X25 (Ref # 130)	130BA0625	16