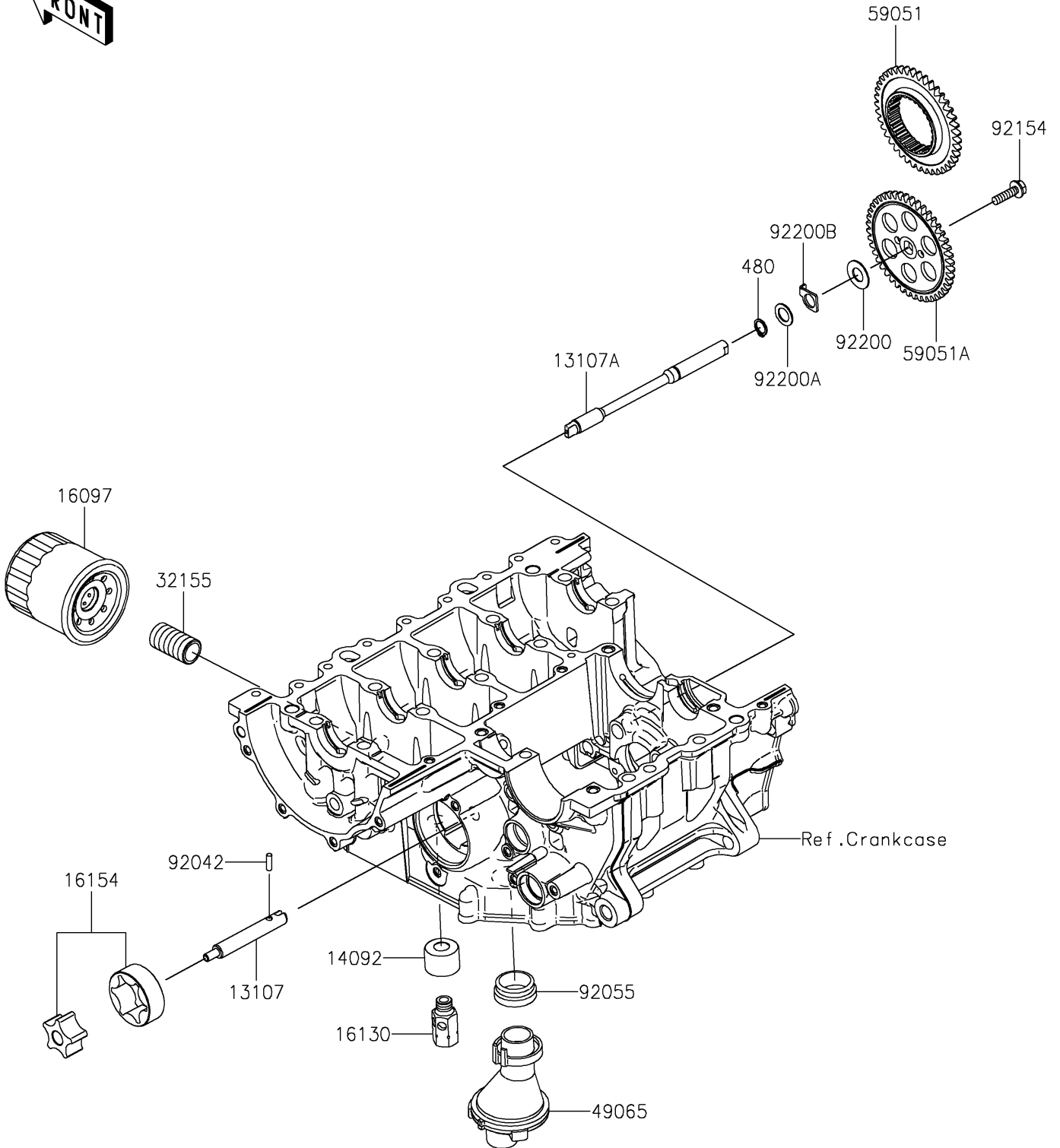


2023 Ninja® ZX-4RR PARTS DIAGRAM

Oil Pump/Oil Filter

E1710



2023 Ninja® ZX-4RR PARTS LIST

Oil Pump/Oil Filter

ITEM NAME	PART NUMBER	QUANTITY
-----------	-------------	----------