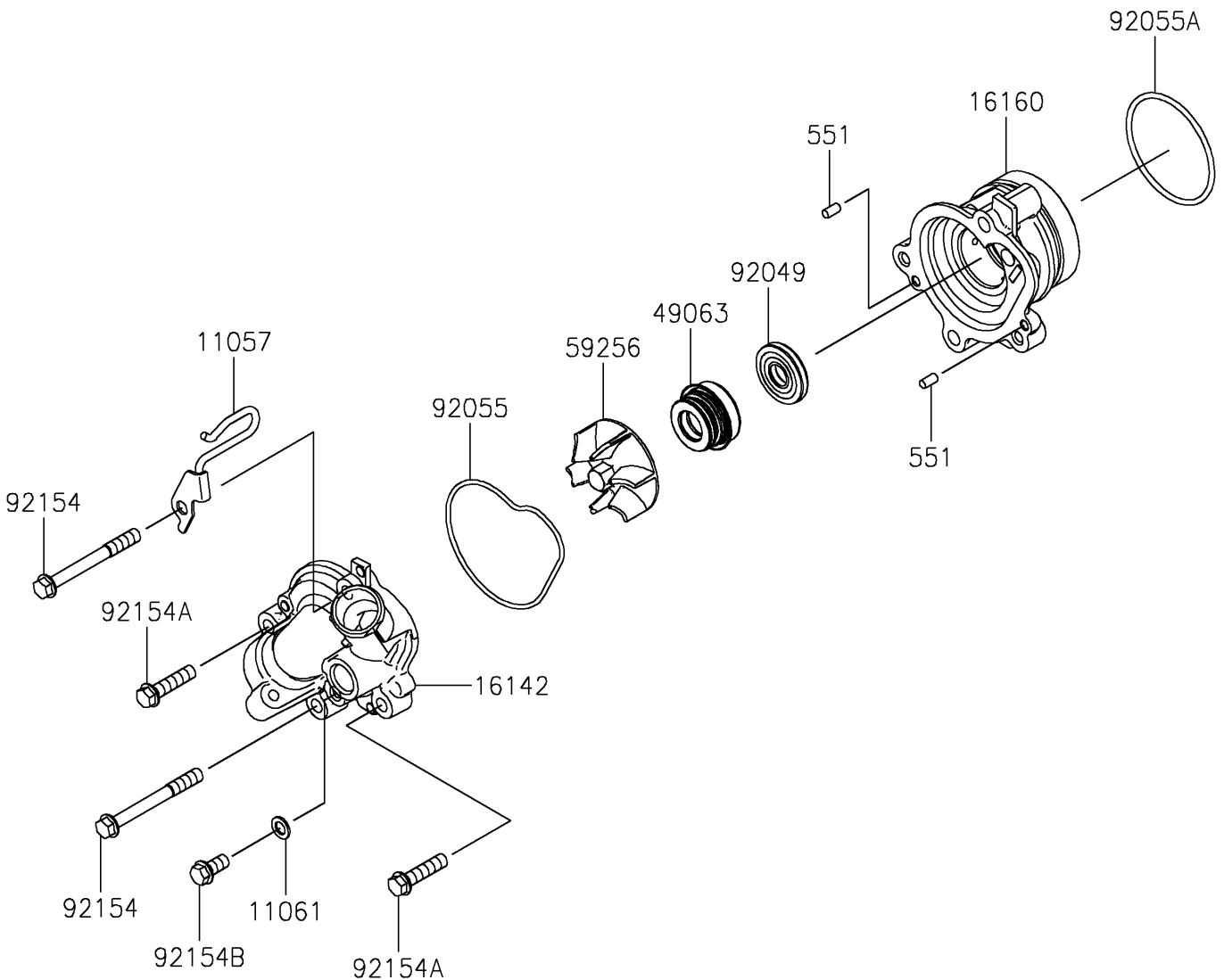


2024 NINJA® ZX™-4RR ABS PARTS DIAGRAM

Water Pump

E3031



2024 NINJA® ZX™ -4RR ABS PARTS LIST

Water Pump

ITEM NAME	PART NUMBER	QUANTITY
BRACKET (Ref # 11057)	11057-4085	1
GASKET (Ref # 11061)	11061-0107	1
COVER-PUMP,WATER (Ref # 16142)	16142-0775	1
BODY,WATER PUMP (Ref # 16160)	16160-0846	1
SEAL-MECHANICAL (Ref # 49063)	49063-1055	1
IMPELLER (Ref # 59256)	59256-0554	1
SEAL-OIL (Ref # 92049)	92049-0798	1
RING-O,WATER PUMP COVER (Ref # 92055)	92055-0942	1
RING-O,WATER PUMP BODY (Ref # 92055A)	92055-0943	1
BOLT,FLANGED,6X55 (Ref # 92154)	92154-1288	2
BOLT,FLANGED,6X25 (Ref # 92154A)	92154-7030	2
BOLT,FLANGED,6X12 (Ref # 92154B)	92154-7036	1
PIN-DOWEL,4X8 (Ref # 551)	551A0408	2