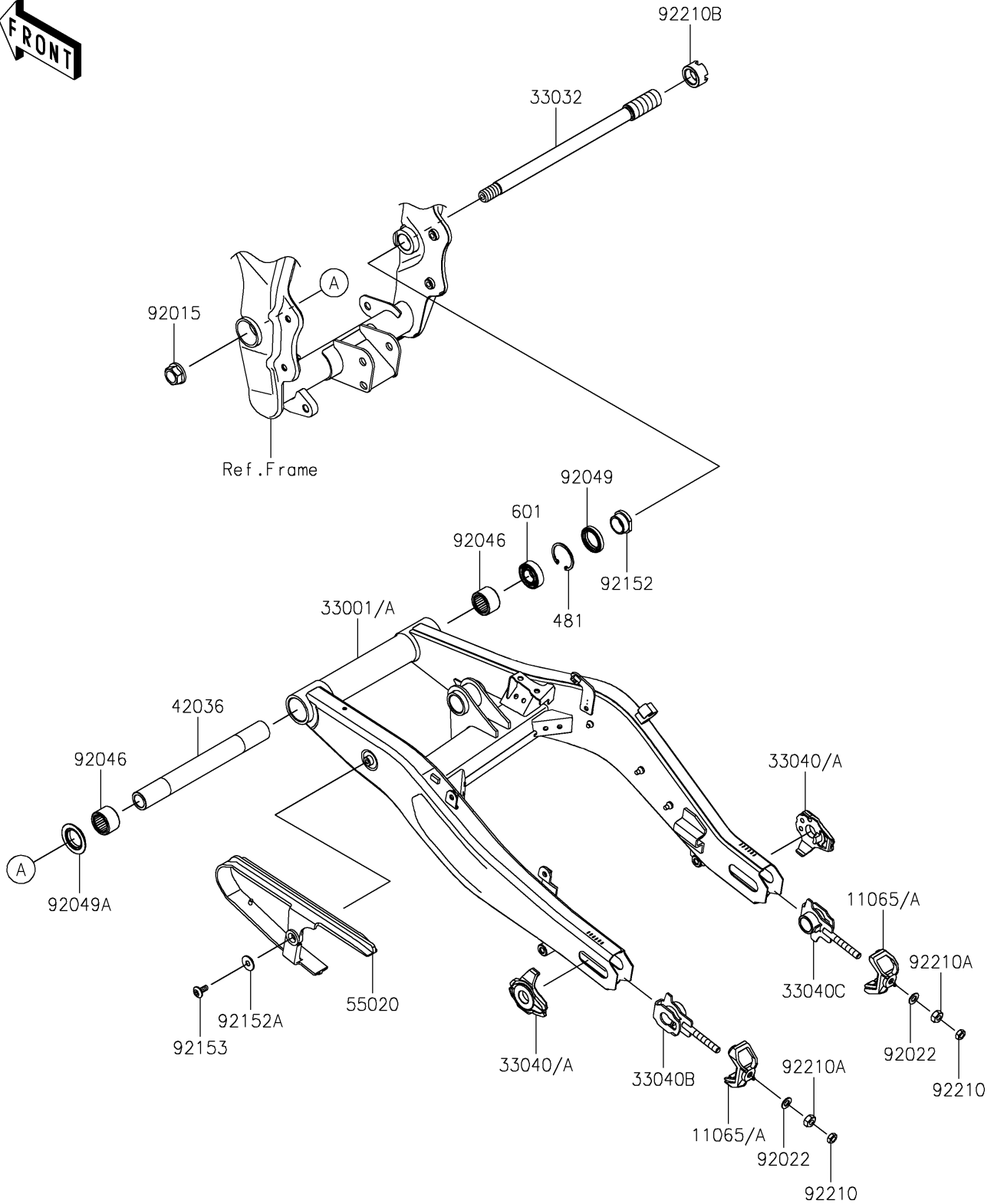


2024 NINJA® ZX™ -4RR 40th ANNIVERSARY EDITION ABS PARTS DIAGRAM

(With ABS SRV/SRFBL)

F2141A



2024 NINJA® ZX™ -4RR 40th ANNIVERSARY EDITION ABS PARTS LIST

Swingarm(SRFNN-SRFBL)

ITEM NAME	PART NUMBER	QUANTITY
CAP,CHAIN ADJUSTER,P.SILVER (Ref # 11065A)	11065-1329-458	2
ARM-COMP-SWING,P.SILVER (Ref # 33001A)	33001-0765-458	1
SHAFT-SWING ARM (Ref # 33032)	33032-0062	1
ADJUSTER-CHAIN,P.SILVER (Ref # 33040A)	33040-0096-458	2
ADJUSTER-CHAIN,LH (Ref # 33040B)	33040-0102	1
ADJUSTER-CHAIN,RH (Ref # 33040C)	33040-0103	1
SLEEVE,17.5X25X224 (Ref # 42036)	42036-0866	1
GUARD,CHAIN (Ref # 55020)	55020-2359	1
NUT,FLANGED,16MM (Ref # 92015)	92015-1946	1
WASHER,8.5X16X1.2 (Ref # 92022)	92022-1582	2
BEARING-NEEDLE,BM2520 (Ref # 92046)	92046-1228	2
SEAL-OIL (Ref # 92049)	92049-0827	1
SEAL-OIL,MF025N1 (Ref # 92049A)	92049-1426	1
COLLAR (Ref # 92152)	92152-2874	1
COLLAR (Ref # 92152A)	92152-3814	1
BOLT,SOCKET,6X14 (Ref # 92153)	92153-1361	1
NUT,8MM (Ref # 92210)	92210-0116	2
NUT,8MM (Ref # 92210A)	92210-0117	2
NUT,CASTLE,22MM (Ref # 92210B)	92210-1902	1
CIRCLIP-TYPE-C,35MM (Ref # 481)	481J3500	1
BEARING-BALL,#6003G (Ref # 601)	601B6003G	1