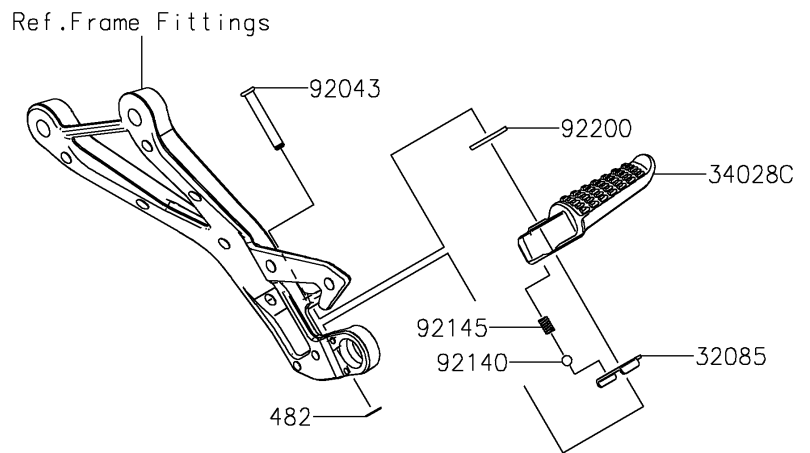
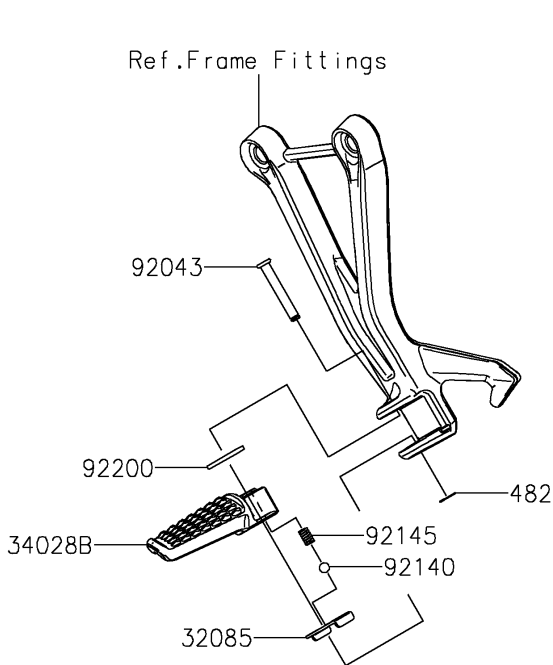
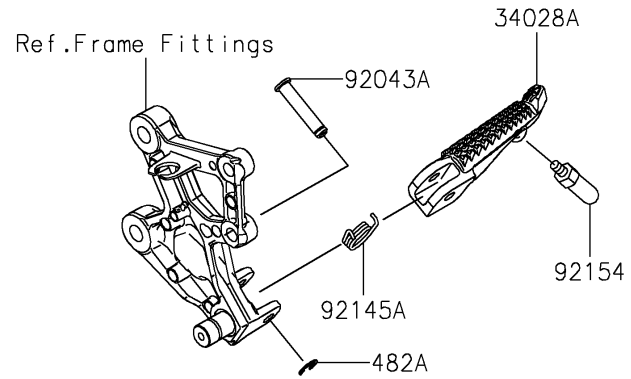
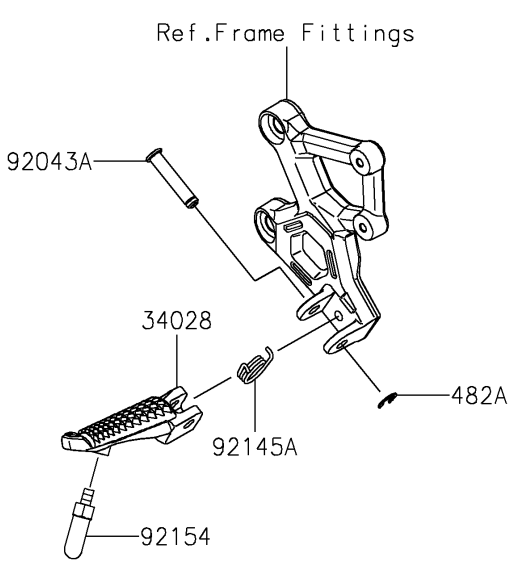


2023 Ninja® ZX-4RR PARTS DIAGRAM

Footrests

F2160



2023 Ninja® ZX-4RR PARTS LIST

Footrests

ITEM NAME	PART NUMBER	QUANTITY
STOPPER,REAR STEP (Ref # 32085)	32085-0047	2
STEP,FR,LH (Ref # 34028)	34028-0356	1
STEP,FR,RH (Ref # 34028A)	34028-0357	1
STEP,RR,LH (Ref # 34028B)	34028-0366	1
STEP,RR,RH (Ref # 34028C)	34028-0367	1
PIN,6X40 (Ref # 92043)	92043-0200	2
PIN,8X40.5 (Ref # 92043A)	92043-0877	2
BALL,6.35MM (Ref # 92140)	92140-0008	2
SPRING (Ref # 92145)	92145-1319	2
SPRING (Ref # 92145A)	92145-2240	2
BOLT,BANK SENSOR (Ref # 92154)	92154-2799	2
WASHER,16X26X2.3 (Ref # 92200)	92200-0772	2
CIRCLIP-TYPE-E (Ref # 482)	482EA5000	2
CIRCLIP-TYPE-E (Ref # 482A)	482EA7000	2