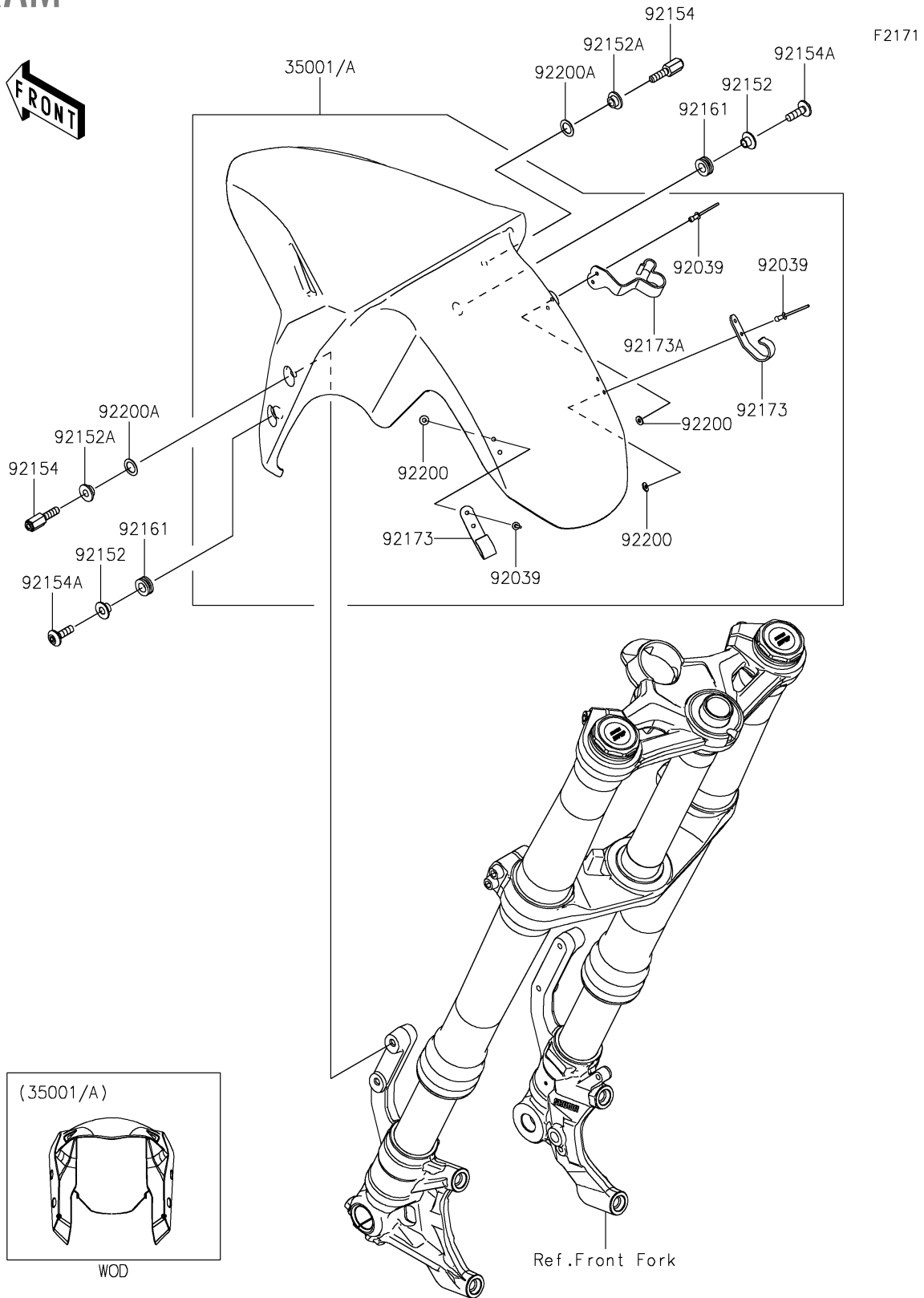


2024 NINJA® ZX™ -4RR 40th ANNIVERSARY EDITION ABS PARTS DIAGRAM



2024 NINJA® ZX™-4RR 40th ANNIVERSARY EDITION ABS PARTS LIST

Front Fender(s)

ITEM NAME	PART NUMBER	QUANTITY
FENDER-ASSY-FRONT,L.GREEN (Ref # 35001A)	35001-0089-777	1
RIVET,3.2X9.5 (Ref # 92039)	92039-0752	6
COLLAR,6.3X8.3X16 (Ref # 92152)	92152-1602	2
COLLAR,6.5X10X5.9 (Ref # 92152A)	92152-2486	2
BOLT,6X20,WHITE (Ref # 92154)	92154-0884	2
BOLT,SOCKET,6X20 (Ref # 92154A)	92154-0918	2
DAMPER,8.3X16X6.4 (Ref # 92161)	92161-1848	2
CLAMP (Ref # 92173)	92173-2521	2
CLAMP (Ref # 92173A)	92173-2657	1
WASHER,3.5X8X1 (Ref # 92200)	92200-1251	6
WASHER,10.4X15.9X0.5 (Ref # 92200A)	92200-2525	2