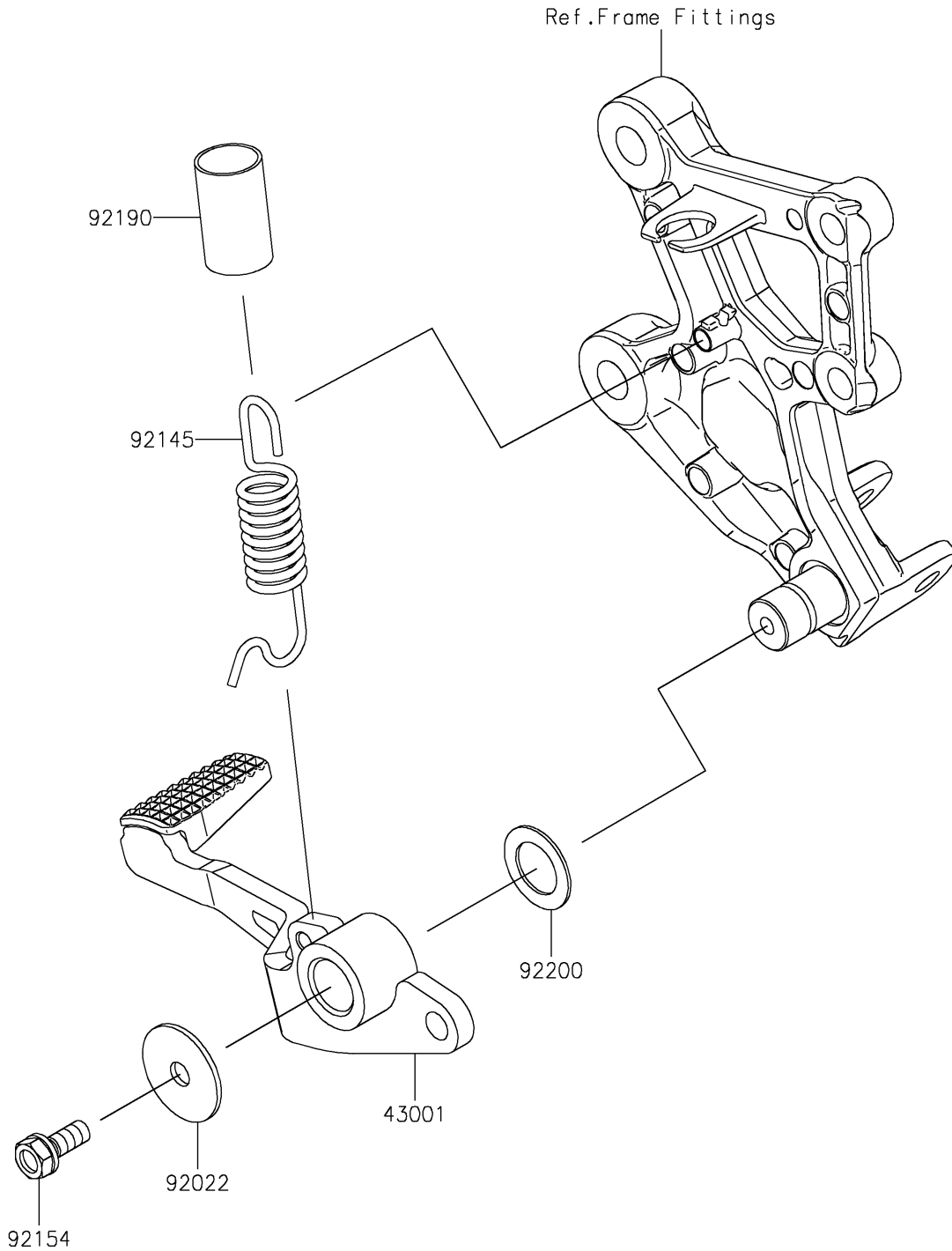


2023 Ninja® ZX-4RR PARTS DIAGRAM

Brake Pedal/Torque Link

F2260



2023 Ninja® ZX-4RR PARTS LIST

Brake Pedal/Torque Link

| ITEM NAME | PART NUMBER | QUANTITY |
|----------------------------------|-------------|----------|
| LEVER-BRAKE,RR (Ref # 43001) | 43001-0784 | 1 |
| WASHER,7X28X1.6 (Ref # 92022) | 92022-1282 | 1 |
| SPRING,BRAKE PEDAL (Ref # 92145) | 92145-0988 | 1 |
| BOLT,UPSET-WS,6X16 (Ref # 92154) | 92154-0935 | 1 |
| TUBE,16X19X30 (Ref # 92190) | 92190-1185 | 1 |
| WASHER,15.3X24X1 (Ref # 92200) | 92200-0906 | 1 |