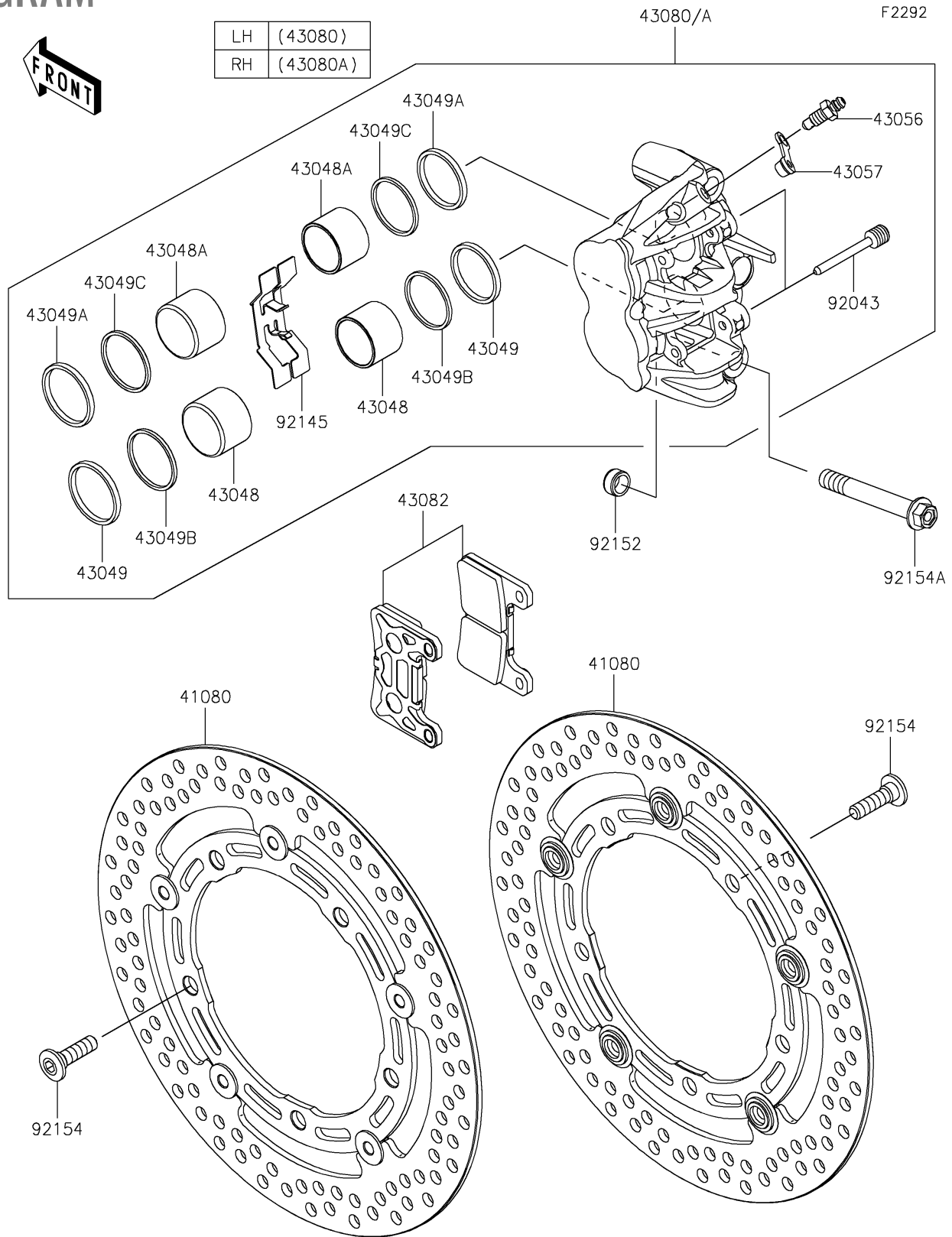


# 2024 NINJA® ZX™ -4RR 40th ANNIVERSARY EDITION ABS PARTS DIAGRAM



# 2024 NINJA® ZX™-4RR 40th ANNIVERSARY EDITION ABS PARTS LIST

## Front Brake

ITEM NAME	PART NUMBER	QUANTITY
DISC,FR,BLACK+BLK (Ref # 41080)	41080-0741-32L	2
PISTON-CALIPER (Ref # 43048)	43048-0023	4
PISTON-CALIPER (Ref # 43048A)	43048-0024	4
PACKING,PISTON (Ref # 43049)	43049-0012	4
PACKING,PISTON (Ref # 43049A)	43049-0013	4
PACKING (Ref # 43049B)	43049-1068	4
PACKING,WIPER (Ref # 43049C)	43049-1107	4
BREATHER-BRAKE (Ref # 43056)	43056-0007	2
CAP-BREATHER (Ref # 43057)	43057-003	2
CALIPER-SUB-ASSY,FR,LH,BLACK (Ref # 43080)	43080-0143-DJ	1
CALIPER-SUB-ASSY,FR,RH,BLACK (Ref # 43080A)	43080-0144-DJ	1
PAD-ASSY-BRAKE (Ref # 43082)	43082-0206	2
PIN,PAD (Ref # 92043)	92043-1709	4
SPRING,PAD (Ref # 92145)	92145-1873	2
COLLAR,DOWEL PIN (Ref # 92152)	92152-2877	4
BOLT,SOCKET,8X30 (Ref # 92154)	92154-1865	10
BOLT (Ref # 92154A)	92154-4379	4