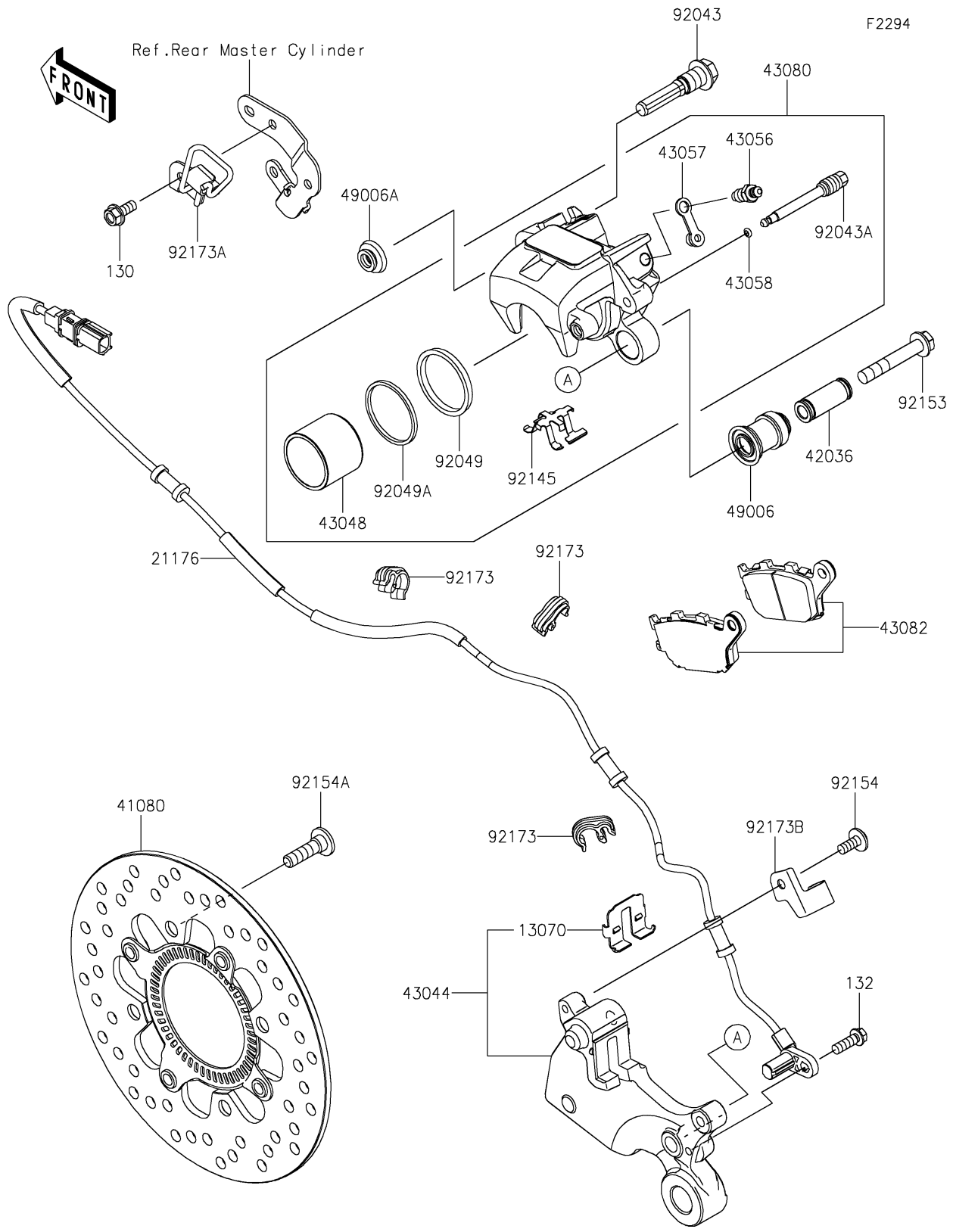


# 2023 Ninja® ZX-4RR PARTS DIAGRAM

## Rear Brake



## 2023 Ninja® ZX-4RR PARTS LIST

### Rear Brake

ITEM NAME	PART NUMBER	QUANTITY
GUIDE (Ref # 13070)	13070-0810	1
SENSOR,SPEED,RR (Ref # 21176)	21176-0926	1
DISC,RR (Ref # 41080)	41080-0736	1
SLEEVE (Ref # 42036)	42036-0050	1
HOLDER-COMP-CALIPER (Ref # 43044)	43044-0092	1
PISTON-CALIPER (Ref # 43048)	43048-0008	1
BREATHER (Ref # 43056)	43056-1055	1
CAP-BREATHER (Ref # 43057)	43057-1001	1
RING,STOPPER (Ref # 43058)	43058-1100	1
CALIPER-SUB-ASSY,RR,BLACK (Ref # 43080)	43080-0156-DJ	1
PAD-ASSY-BRAKE (Ref # 43082)	43082-0185	1
BOOT (Ref # 49006)	49006-0058	1
BOOT,CALIPER (Ref # 49006A)	49006-1242	1
PIN (Ref # 92043)	92043-0137	1
PIN,HANGER (Ref # 92043A)	92043-0820	1
SEAL-OIL (Ref # 92049)	92049-1449	1
SEAL-OIL (Ref # 92049A)	92049-1450	1
SPRING,PAD (Ref # 92145)	92145-0493	1
BOLT,FLANGED (Ref # 92153)	92153-1826	1
BOLT,SOCKET,6X14 (Ref # 92154)	92154-0907	1
BOLT,SOCKET,8X30 (Ref # 92154A)	92154-1865	4
CLAMP,HOSE&SENSOR LINE (Ref # 92173)	92173-1613	3
CLAMP (Ref # 92173A)	92173-2177	1
CLAMP (Ref # 92173B)	92173-2178	1
BOLT-FLANGED,6X14 (Ref # 130)	130BA0614	1
BOLT-FLANGED-SMALL,6X18 (Ref # 132)	132BC0618	1