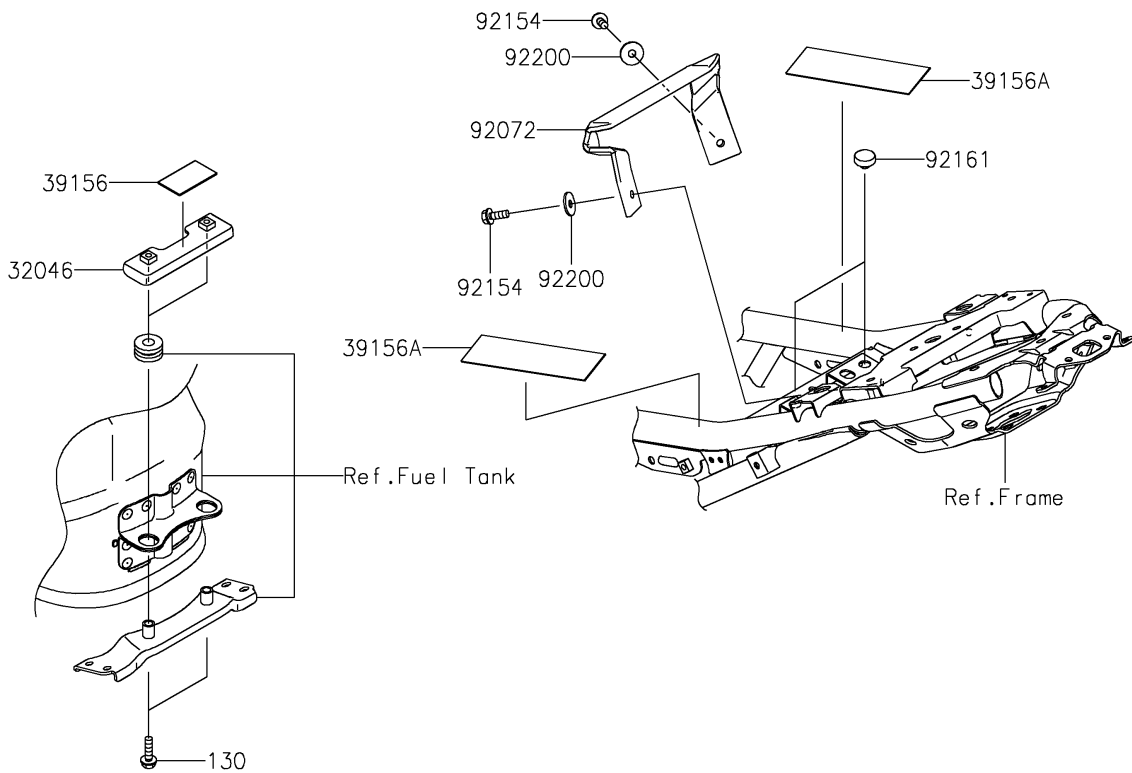
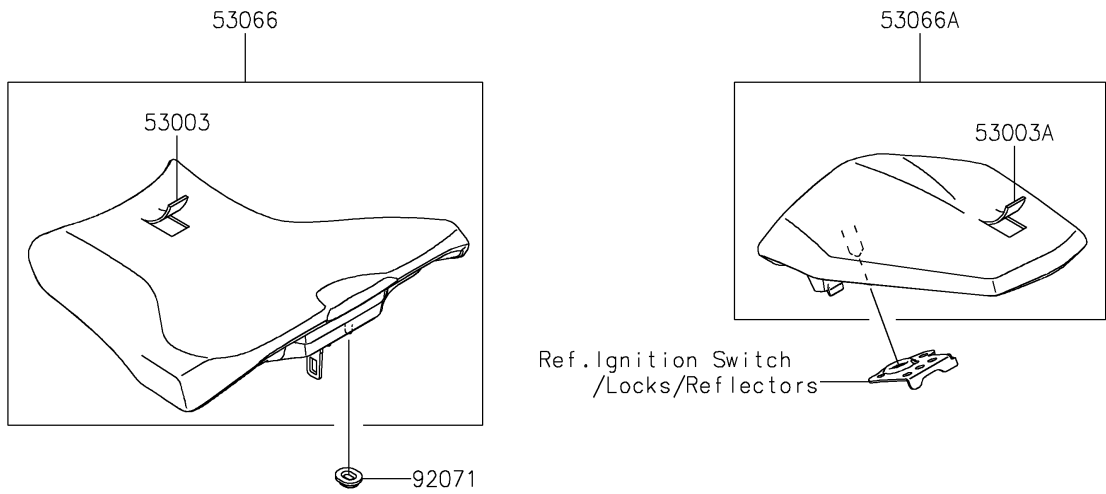


2024 NINJA® ZX™-4RR 40th ANNIVERSARY EDITION ABS PARTS DIAGRAM

F2510



2024 NINJA® ZX™-4RR 40th ANNIVERSARY EDITION ABS PARTS LIST

Seat

ITEM NAME	PART NUMBER	QUANTITY
BRACKET-SEAT (Ref # 32046)	32046-0453	1
PAD,45X26X1 (Ref # 39156)	39156-2607	1
PAD,130X35X1 (Ref # 39156A)	39156-2835	2
LEATHER,FR SEAT,BLACK (Ref # 53003)	53003-0531-MA	1
LEATHER,RR SEAT,BLACK (Ref # 53003A)	53003-0537-MA	1
SEAT-ASSY,FR,BLACK (Ref # 53066)	53066-0670-MA	1
SEAT-ASSY,RR,BLACK (Ref # 53066A)	53066-0671-MA	1
GROMMET,20X24X7.5 (Ref # 92071)	92071-0766	1
BAND,SEAT,BLACK (Ref # 92072)	92072-0861-MA	1
BOLT,FLANGED,6X16 (Ref # 92154)	92154-2900	2
DAMPER,9.5X18X6 (Ref # 92161)	92161-1473	2
WASHER,6.5X20X1.6 (Ref # 92200)	92200-1962	2
BOLT-FLANGED,6X22 (Ref # 130)	130CA0622	2