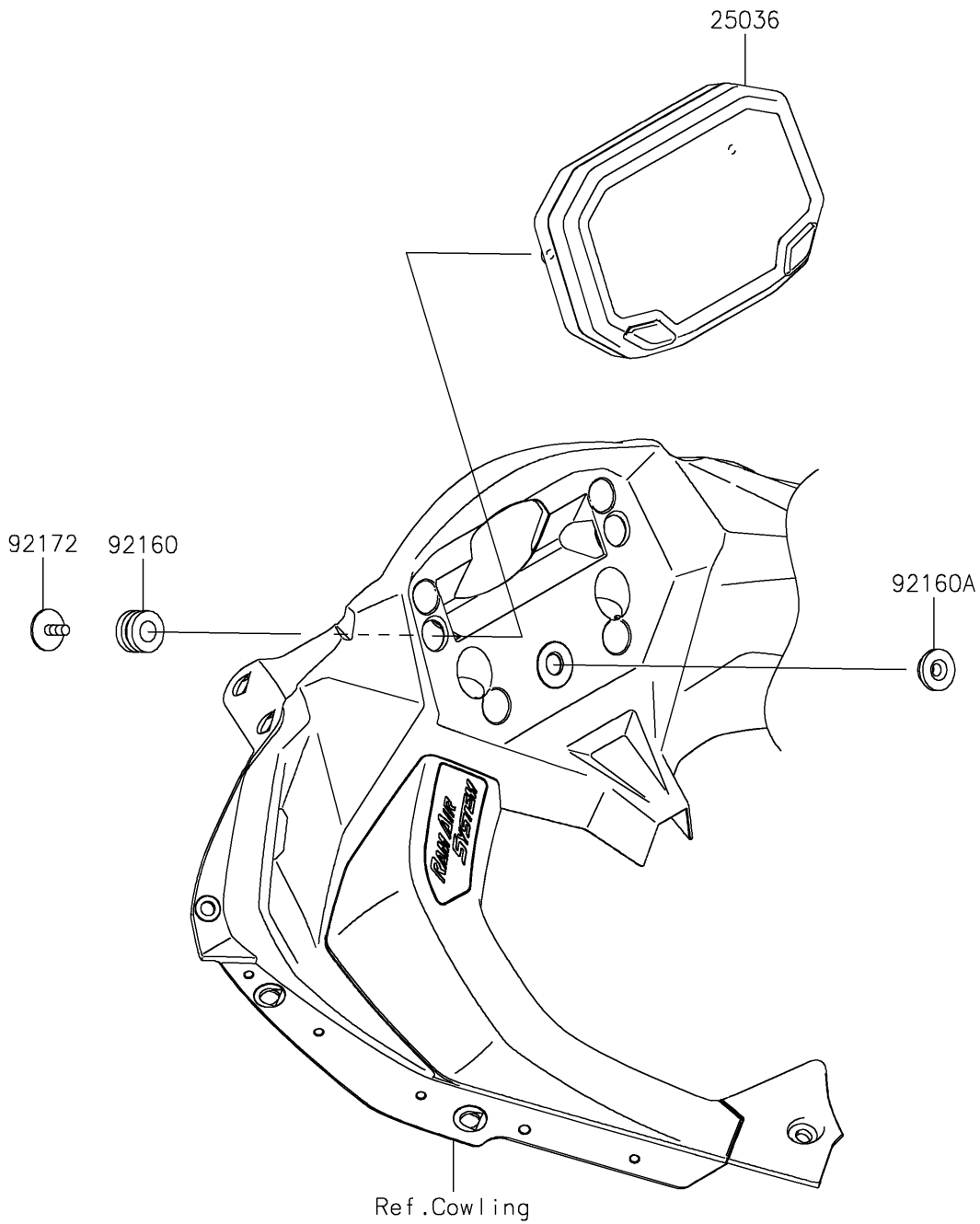


# 2024 Ninja ZX-4RR PARTS DIAGRAM

Meter(s)

F2530



## 2024 Ninja ZX-4RR PARTS LIST

Meter(s)

| ITEM NAME                            | PART NUMBER | QUANTITY |
|--------------------------------------|-------------|----------|
| METER-ASSY,TFT DISPLAY (Ref # 25036) | 25036-0128  | 1        |
| DAMPER,10X20X12 (Ref # 92160)        | 92160-1167  | 2        |
| DAMPER (Ref # 92160A)                | 92160-1613  | 1        |
| SCREW,CROSS,5X14 (Ref # 92172)       | 92172-1226  | 2        |