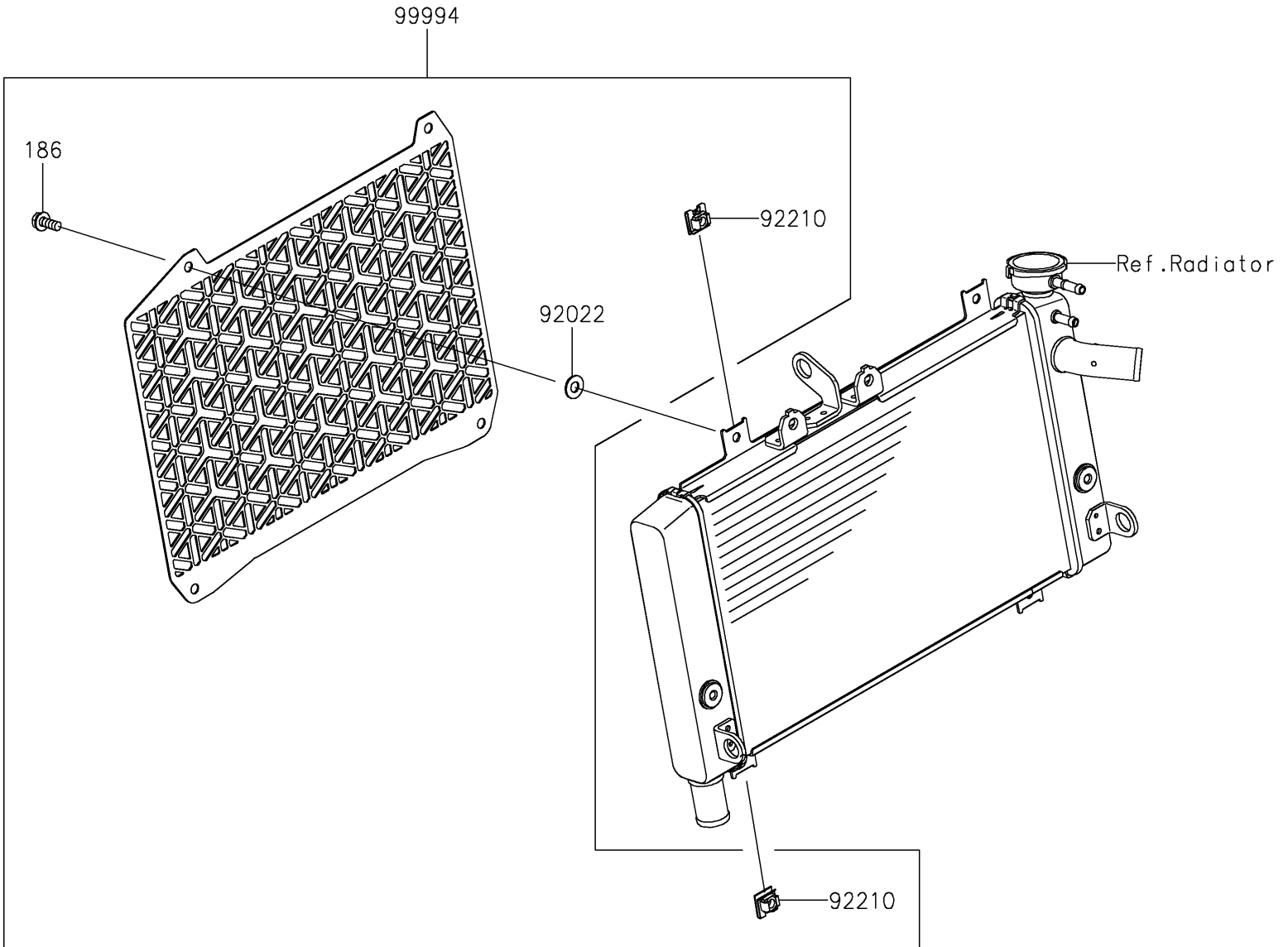


# 2024 NINJA® ZX™ -4RR 40th ANNIVERSARY EDITION ABS PARTS DIAGRAM

(Access to Radiator Trim)

F2910



# 2024 NINJA® ZX™-4RR 40th ANNIVERSARY EDITION ABS PARTS LIST

Accessory(Radiator Trim)

ITEM NAME	PART NUMBER	QUANTITY
WASHER,7X16X1.2 (Ref # 92022)	92022-024	4
NUT,CLIP,6MM (Ref # 92210)	92210-0867	4
RADIATOR TRIM (Ref # 99994)	99994-1887	1
BOLT-UPSET-WP (Ref # 186)	186BA0616	4