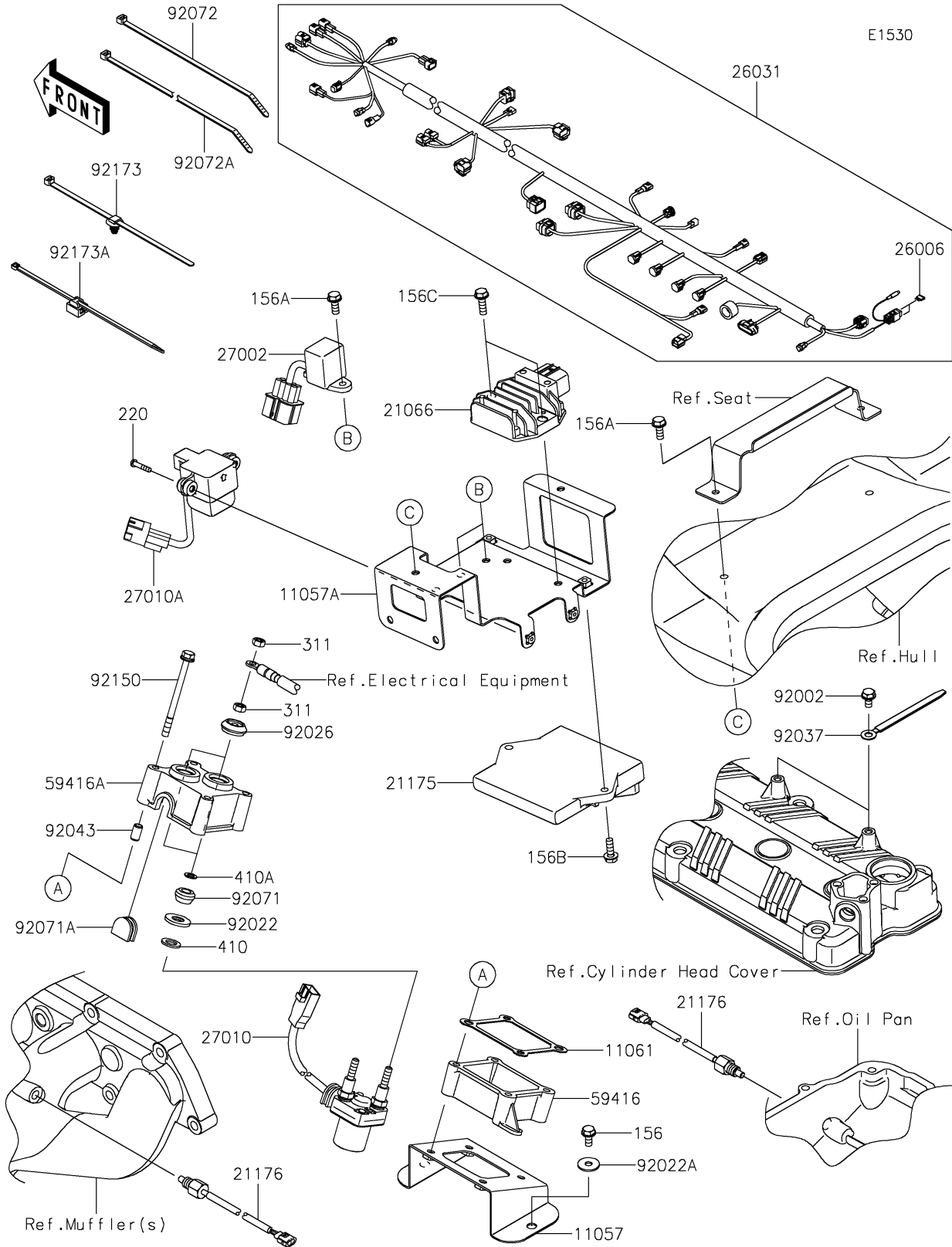


2024 JET SKI® STX® 160X PARTS DIAGRAM

Fuel Injection



2024 JET SKI® STX® 160X PARTS LIST

Fuel Injection

ITEM NAME	PART NUMBER	QUANTITY
BRACKET,ELECTRIC CASE (Ref # 11057)	11057-0452	1
BRACKET,ECU&RELAY (Ref # 11057A)	11057-2560	1
GASKET (Ref # 11061)	11061-1528	1
REGULATOR-VOLTAGE (Ref # 21066)	21066-0755	1
CONTROL UNIT-ELECTRONIC (Ref # 21175)	21175-1530	1
SENSOR,TEMP (Ref # 21176)	21176-0741	2
FUSE,MINI BLADE,20A,YELLOW (Ref # 26006)	26006-3704	2
HARNESS,MAIN (Ref # 26031)	26031-2609	1
RELAY-ASSY (Ref # 27002)	27002-3703	2
SWITCH,MAGNETIC (Ref # 27010)	27010-0860	1
SWITCH,VDS (Ref # 27010A)	27010-3785	1
CASE-ELECTRIC (Ref # 59416)	59416-3765	1
CASE-ELECTRIC (Ref # 59416A)	59416-3766	1
BOLT,6X12 (Ref # 92002)	92002-3763	2
WASHER (Ref # 92022)	92022-3035	2
WASHER,6.5X20X1.5 (Ref # 92022A)	92022-3710	2
SPACER (Ref # 92026)	92026-3703	2
CLAMP,L=100 (Ref # 92037)	92037-3736	2
PIN (Ref # 92043)	92043-3715	2
GROMMET (Ref # 92071)	92071-3004	2
GROMMET (Ref # 92071A)	92071-3837	1
BAND,L=188.85 (Ref # 92072)	92072-0105	3
BAND,L=372.24 (Ref # 92072A)	92072-3883	2
BOLT,6X80 (Ref # 92150)	92150-3711	4
CLAMP (Ref # 92173)	92173-0742	2
CLAMP (Ref # 92173A)	92173-1578	2
BOLT-WP,6X14 (Ref # 156)	156R0614	2
BOLT-WP,6X16 (Ref # 156A)	156R0616	4
BOLT-WP,6X18 (Ref # 156B)	156R0618	2

2024 JET SKI® STX® 160X PARTS LIST

Fuel Injection

ITEM NAME	PART NUMBER	QUANTITY
BOLT-WP,6X20 (Ref # 156C)	156R0620	2
SCREW-PAN-CROS,4X20 (Ref # 220)	220R0420	2
NUT-HEX,6MM (Ref # 311)	311R0600	4
WASHER-PLAIN-SMALL,10MM (Ref # 410)	410AA1000	2
WASHER-PLAIN-SMALL,6MM (Ref # 410A)	410S0600	2