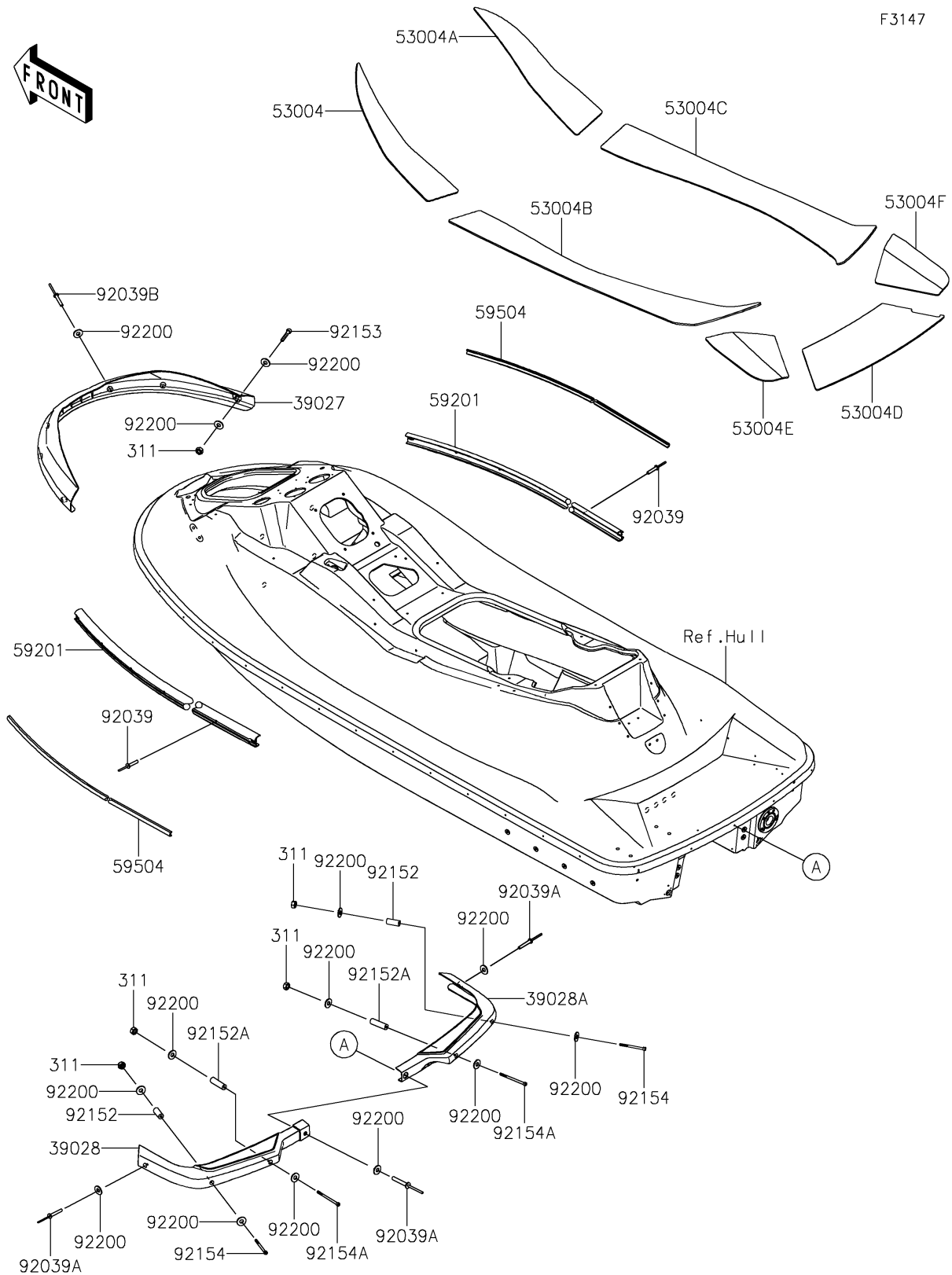


# 2024 JET SKI® STX® 160X PARTS DIAGRAM

Pads



F3147

## 2024 JET SKI® STX® 160X PARTS LIST

### Pads

ITEM NAME	PART NUMBER	QUANTITY
BUMPER-FRONT,F.BLACK (Ref # 39027)	39027-0002-6Z	1
BUMPER-REAR,LH,F.BLACK (Ref # 39028)	39028-0003-6Z	1
BUMPER-REAR,RH,F.BLACK (Ref # 39028A)	39028-0004-6Z	1
MAT,FR,LH (Ref # 53004)	53004-0655	1
MAT,FR,RH (Ref # 53004A)	53004-0656	1
MAT,MID,LH (Ref # 53004B)	53004-0657	1
MAT,MID,RH (Ref # 53004C)	53004-0658	1
MAT,RR,CNT (Ref # 53004D)	53004-0659	1
MAT,RR,LH (Ref # 53004E)	53004-0660	1
MAT,RR,RH (Ref # 53004F)	53004-0661	1
BUMPER,SIDE,F.BLACK (Ref # 59201)	59201-0002-6Z	2
INSERT-BOAT FENDER,SIDE,CB.ORG (Ref # 59504)	59504-0001-46Z	2
RIVET (Ref # 92039)	92039-3771	22
RIVET (Ref # 92039A)	92039-3773	3
RIVET (Ref # 92039B)	92039-3794	4
COLLAR,5.5X14X33 (Ref # 92152)	92152-2593	2
COLLAR,5.5X14X48 (Ref # 92152A)	92152-2594	2
BOLT,SOCKET,5X30 (Ref # 92153)	92153-3742	2
BOLT,SOCKET,5X65 (Ref # 92154)	92154-3998	2
BOLT,SOCKET,5X80 (Ref # 92154A)	92154-3999	2
WASHER,5X12X1 (Ref # 92200)	92200-3796	19
NUT-HEX,5MM (Ref # 311)	311R0500	6