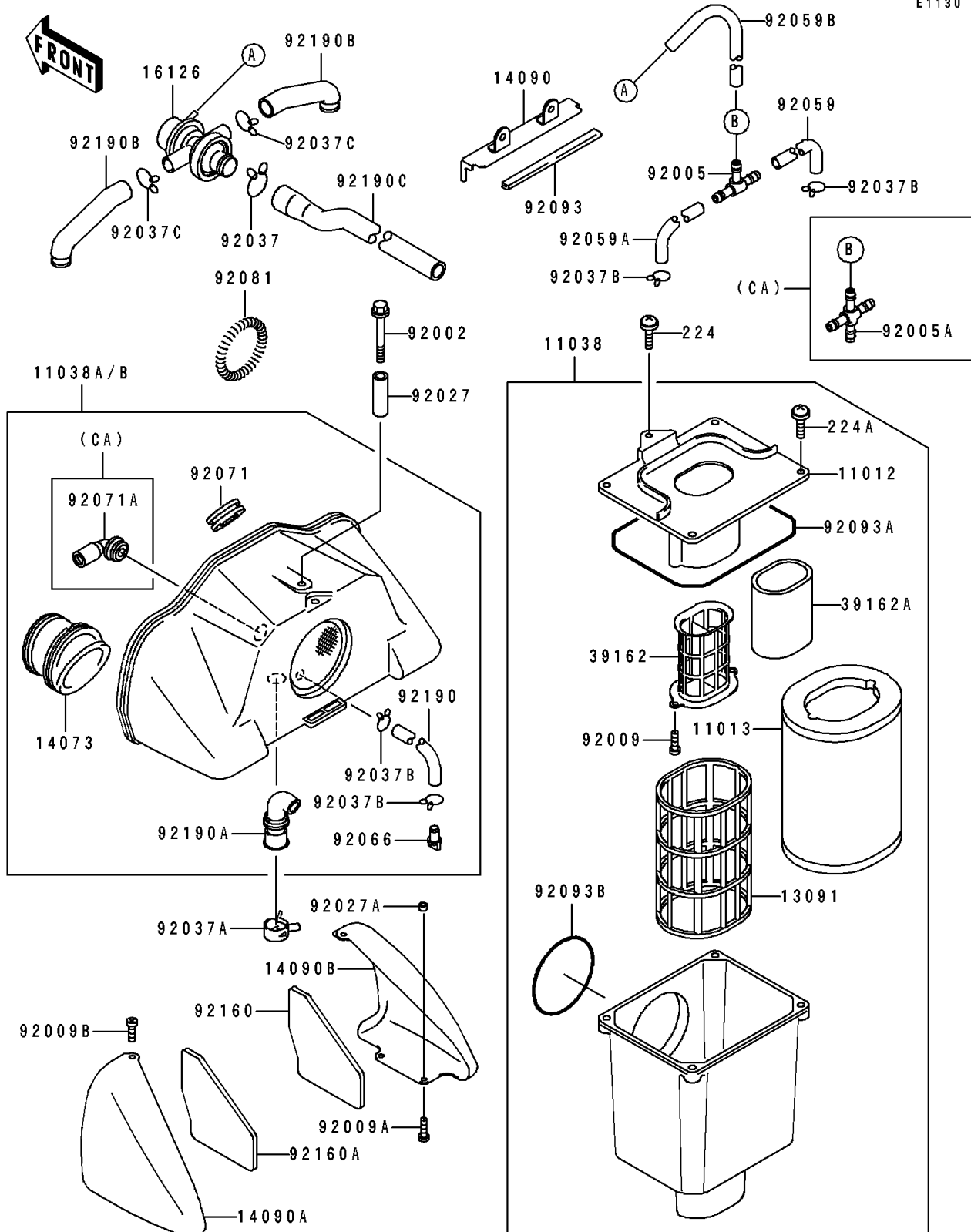


# 1993 ZR1100 Zephyr PARTS DIAGRAM

Air Cleaner

E1130



# 1993 ZR1100 Zephyr PARTS LIST

## Air Cleaner

ITEM NAME	PART NUMBER	QUANTITY
CAP,AIR FILTER (Ref # 11012)	11012-1803	1
ELEMENT-AIR FILTER (Ref # 11013)	11013-1221	1
CASE-ASSY-AIR FILTER,RR (Ref # 11038)	11038-1085	1
CASE-ASSY-AIR FILTER,FR (Ref # 11038A)	11038-1101	1
CASE-ASSY-AIR FILTER,FR (Ref # 11038B)	11038-1103	1
HOLDER,ELEMENT (Ref # 13091)	13091-1786	1
DUCT,AIR FILTER (Ref # 14073)	14073-1637	4
COVER,AIR CLEANER (Ref # 14090)	14090-1214	1
COVER,LH (Ref # 14090A)	14090-1566	1
COVER,RH (Ref # 14090B)	14090-1567	1
VALVE,AIR SWITCH (Ref # 16126)	16126-1144	1
SILENCER-INTAKE,HOLDER (Ref # 39162)	39162-1076	1
SILENCER-INTAKE,ELEMENT (Ref # 39162A)	39162-1077	1
BOLT,6X43 (Ref # 92002)	92002-1881	1
FITTING,TUBE,T-TYPE (Ref # 92005)	92005-1017	1
FITTING,TUBE,X-TYPE (Ref # 92005A)	92005-1051	1
SCREW,TAPPING,4X10 (Ref # 92009)	92009-1040	2
SCREW,TAPPING,5X16 (Ref # 92009A)	92009-1264	4
SCREW,TAPPING,5X10 (Ref # 92009B)	92009-1499	2
COLLAR,6.5X10.5X33 (Ref # 92027)	92027-1222	1
COLLAR,WITH SLIT,5.2X8X5 (Ref # 92027A)	92027-1583	4
CLAMP,TUBE (Ref # 92037)	92037-1076	1
CLAMP (Ref # 92037A)	92037-1460	1
CLAMP (Ref # 92037B)	92037-1712	4
CLAMP,TUBE (Ref # 92037C)	92037-213	2
TUBE,4X9X190 (Ref # 92059)	92059-1032	1
TUBE,4X9X155 (Ref # 92059A)	92059-1033	1
TUBE,4X9X290 (Ref # 92059B)	92059-1043	1
PLUG,DRAIN (Ref # 92066)	92066-1211	1

# 1993 ZR1100 Zephyr PARTS LIST

## Air Cleaner

ITEM NAME	PART NUMBER	QUANTITY
GROMMET,AIR FILTER (Ref # 92071)	92071-1028	1
GROMMET,AIR FILTER (Ref # 92071A)	92071-1114	1
SPRING,COIL,BLACK (Ref # 92081)	92081-1457	4
SEAL (Ref # 92093)	92093-1276	1
SEAL,AIR FILTER CAP (Ref # 92093A)	92093-1337	1
SEAL,AIR FILTER (Ref # 92093B)	92093-1338	1
DAMPER,AIR FILTER COVER,RH (Ref # 92160)	92160-1337	1
DAMPER,AIR FILTER COVER,LH (Ref # 92160A)	92160-1338	1
TUBE,7X10X480 (Ref # 92190)	92190-1089	1
TUBE,BREATHER (Ref # 92190A)	92190-1276	1
TUBE (Ref # 92190B)	92190-1277	2
TUBE (Ref # 92190C)	92190-1278	1
SCREW-PAN-WP-CROS (Ref # 224)	224C0614	1
SCREW-PAN-WP-CROS (Ref # 224A)	224C0620	4