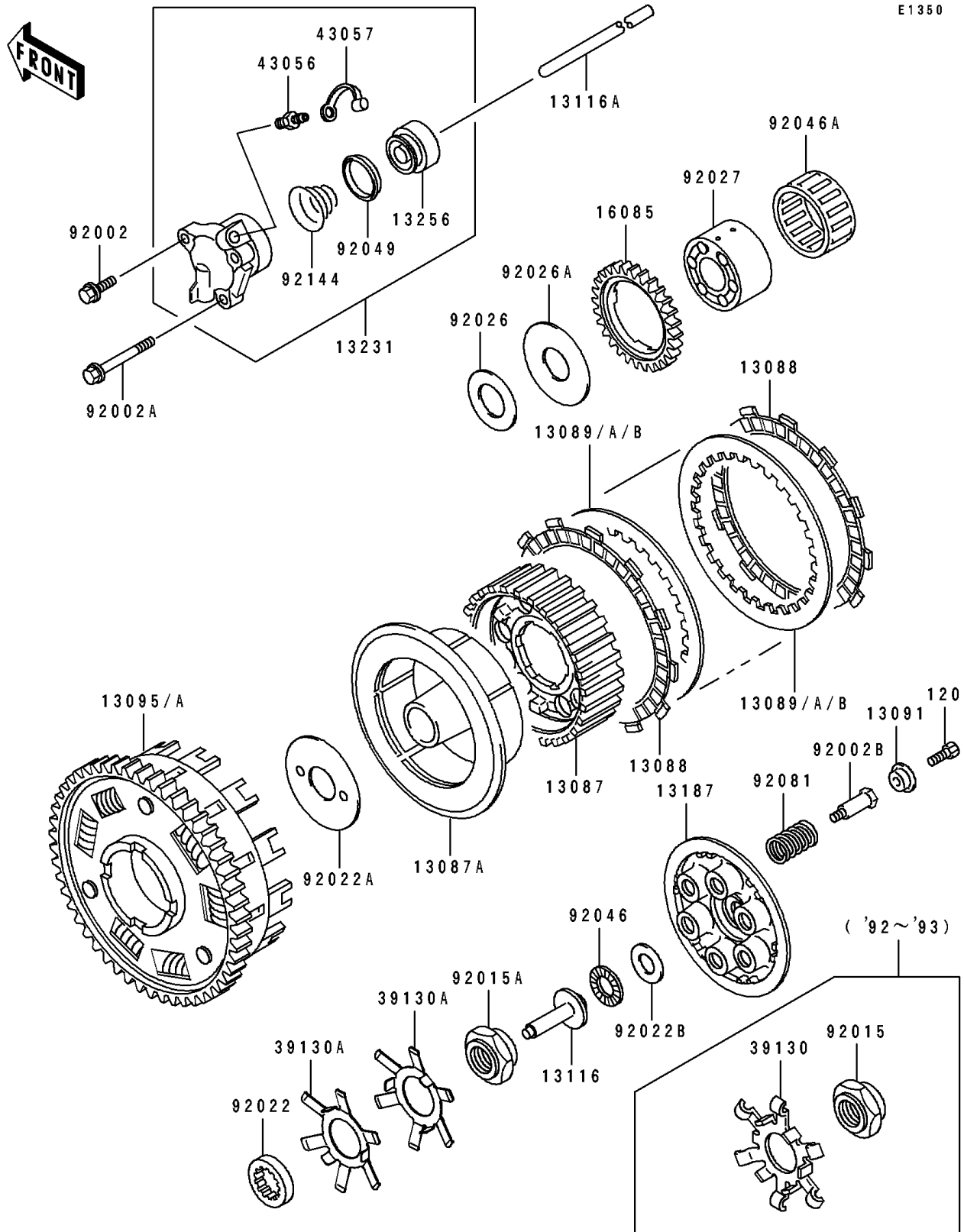


# 1993 ZR1100 Zephyr PARTS DIAGRAM

Clutch

E1350



# 1993 ZR1100 Zephyr PARTS LIST

## Clutch

ITEM NAME	PART NUMBER	QUANTITY
HUB-CLUTCH (Ref # 13087)	13087-1072	1
HUB-CLUTCH (Ref # 13087A)	13087-1144	1
PLATE-FRICTION (Ref # 13088)	13088-1087	9
PLATE-CLUTCH,T=2.3 (Ref # 13089)	13089-1004	AR
PLATE-CLUTCH,T=2.6 (Ref # 13089A)	13089-1067	AR
PLATE-CLUTCH,T=2.0 (Ref # 13089B)	13089-1068	AR
HOLDER,CLUTCH SPRING (Ref # 13091)	13091-1041	6
HOUSING-COMP-CLUTCH (Ref # 13095)	13095-1252	1
ROD-PUSH,CLUTCH (Ref # 13116)	13116-1102	1
ROD-PUSH,L=312 (Ref # 13116A)	13116-1143	1
PLATE-CLUTCH OPERATING (Ref # 13187)	13187-1055	1
RELEASE-ASSY-CLUTCH (Ref # 13231)	13231-1068	1
PISTON,CLUTCH RELEASE (Ref # 13256)	13256-1051	1
GEAR,OIL PUMP,37T (Ref # 16085)	16085-1157	1
SPRING-LEAF (Ref # 39130)	39130-1054	1
BREATHER-BRAKE (Ref # 43056)	43056-1055	1
CAP-BREATHER (Ref # 43057)	43057-1001	1
BOLT,6X25 (Ref # 92002)	92002-1612	2
BOLT,6X85 (Ref # 92002A)	92002-1624	1
BOLT,CLUTCH (Ref # 92002B)	92002-1639	6
NUT (Ref # 92015)	92015-1538	1
WASHER,TOOTHED,25X40X5 (Ref # 92022)	92022-1114	1
WASHER,CLUTCH THRUST (Ref # 92022A)	92022-1221	1
WASHER,15.1X29X1.0 (Ref # 92022B)	92022-1463	1
SPACER,25X45X2.0 (Ref # 92026)	92026-1306	1
SPACER,25X62X2.0 (Ref # 92026A)	92026-1307	1
COLLAR,INPUTSHAFT (Ref # 92027)	92027-1967	1
BEARING-NEEDLE,AXK1102 (Ref # 92046)	92046-1052	1
BEARING-NEEDLE,K556020 (Ref # 92046A)	92046-1152	1

# 1993 ZR1100 Zephyr PARTS LIST

## Clutch

ITEM NAME	PART NUMBER	QUANTITY
SEAL-OIL,PISTON (Ref # 92049)	92049-1165	1
SPRING,CLUTCH (Ref # 92081)	92081-1114	6
SPRING,CLUTCH RELEASE (Ref # 92144)	92144-1084	1
BOLT-SOCKET,6X16 (Ref # 120)	120Q0616	6