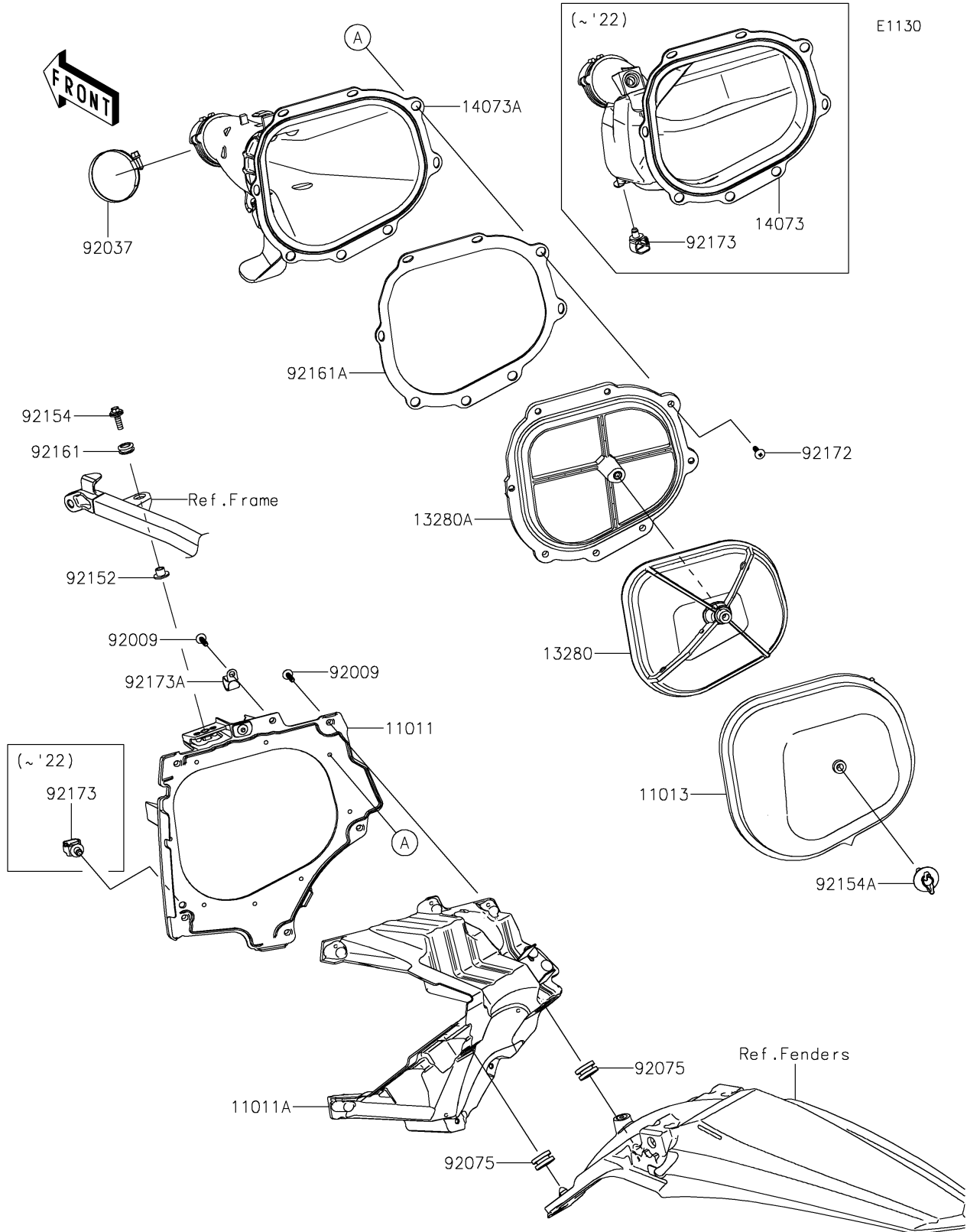


2022 KX™ 250X PARTS DIAGRAM

Air Cleaner



2022 KX™ 250X PARTS LIST

Air Cleaner

| ITEM NAME | PART NUMBER | QUANTITY |
|---|----------------|----------|
| CASE-AIR FILTER,FR,L.GREEN (Ref # 11011) | 11011-0948-290 | 1 |
| CASE-AIR FILTER,RR,L.GREEN (Ref # 11011A) | 11011-0949-290 | 1 |
| ELEMENT-AIR FILTER (Ref # 11013) | 11013-0811 | 1 |
| HOLDER,ELEMENT BASE (Ref # 13280) | 13280-0913 | 1 |
| HOLDER,ELEMENT BASE (Ref # 13280A) | 13280-0988 | 1 |
| DUCT (Ref # 14073) | 14073-1869 | 1 |
| SCREW,TAPPING,5X20 (Ref # 92009) | 92009-1993 | 6 |
| CLAMP,RESERVE TANK (Ref # 92037) | 92037-1586 | 1 |
| DAMPER,10X24X12 (Ref # 92075) | 92075-1690 | 2 |
| COLLAR (Ref # 92152) | 92152-1449 | 1 |
| BOLT,FLANGED,6X20 (Ref # 92154) | 92154-1268 | 1 |
| BOLT,WING,6X35 (Ref # 92154A) | 92154-2943 | 1 |
| DAMPER (Ref # 92161) | 92161-0266 | 1 |
| DAMPER,HOLDER (Ref # 92161A) | 92161-2319 | 1 |
| SCREW,TAPPING,5X20 (Ref # 92172) | 92172-0382 | 8 |
| CLAMP,12MM DIA. (Ref # 92173) | 92173-0736 | 2 |
| CLAMP (Ref # 92173A) | 92173-1549 | 1 |