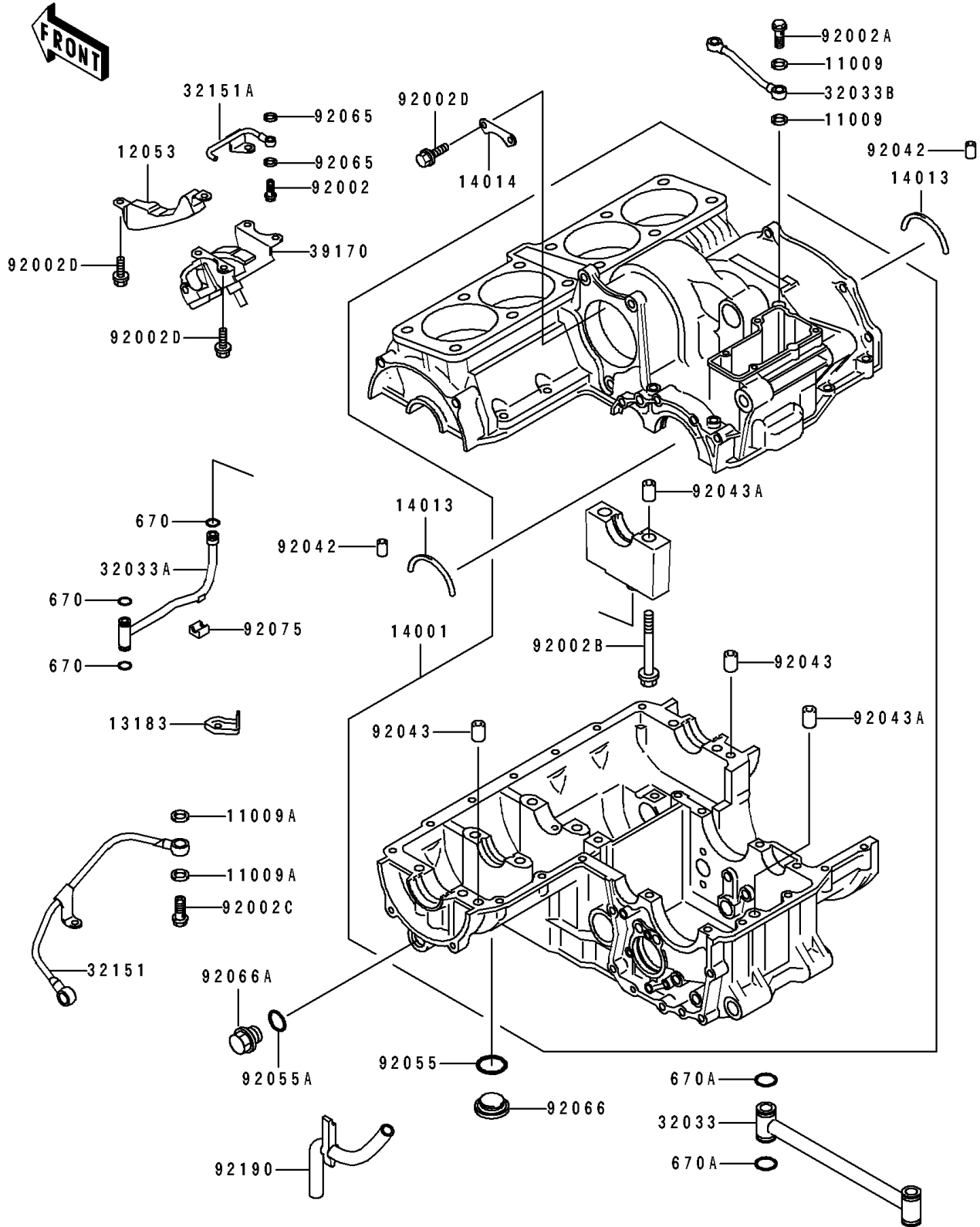


# 1995 ZR1100 Zephyr PARTS DIAGRAM

## Crankcase

E1411



# 1995 ZR1100 Zephyr PARTS LIST

## Crankcase

| ITEM NAME                                | PART NUMBER | QUANTITY |
|--|-------------|----------|
| GASKET,OIL PIPE,8.2X14X1.0 (Ref # 11009) | 11009-1344  | 4        |
| GASKET,12.4X17X1.5 (Ref # 11009A)        | 11009-1376  | 4        |
| GUIDE-CHAIN (Ref # 12053)                | 12053-1301  | 1        |
| PLATE (Ref # 13183)                      | 13183-1863  | 1        |
| SET-CRANKCASE (Ref # 14001)              | 14001-1084  | 1        |
| RING-POSITION,T=1.98 (Ref # 14013)       | 14013-1054  | 2        |
| PLATE-POSITION (Ref # 14014)             | 14014-1075  | 1        |
| PIPE,MAIN GALLERY (Ref # 32033)          | 32033-1928  | 1        |
| PIPE (Ref # 32033A)                      | 32033-1930  | 1        |
| PIPE (Ref # 32033B)                      | 32033-1931  | 1        |
| PIPE (Ref # 32151)                       | 32151-1111  | 1        |
| PIPE (Ref # 32151A)                      | 32151-1229  | 1        |
| TENSIONER-COMP (Ref # 39170)             | 39170-1063  | 1        |
| BOLT,BANJO,6X19 (Ref # 92002)            | 92002-1473  | 1        |
| BOLT,BANJO,8X20 (Ref # 92002A)           | 92002-1618  | 2        |
| BOLT,10X95 (Ref # 92002B)                | 92002-1651  | 2        |
| BOLT,BANJO,12X27 (Ref # 92002C)          | 92002-1655  | 2        |
| BOLT,6X14 (Ref # 92002D)                 | 92002-1656  | 8        |
| PIN,DOWEL,6X16 (Ref # 92042)             | 92042-016   | 2        |
| PIN,DOWEL,10X14 (Ref # 92043)            | 92043-1037  | 2        |
| PIN,11.5X14X14 (Ref # 92043A)            | 92043-1279  | 3        |
| RING-O,25.7X2.4 (Ref # 92055)            | 92055-1136  | 1        |
| RING-O (Ref # 92055A)                    | 92055-1146  | 1        |
| GASKET (Ref # 92065)                     | 92065-096   | 2        |
| PLUG,OIL RETURN (Ref # 92066)            | 92066-1232  | 1        |
| PLUG (Ref # 92066A)                      | 92066-1394  | 1        |
| DAMPER,PIPE (Ref # 92075)                | 92075-1785  | 1        |
| TUBE,BREATHER (Ref # 92190)              | 92190-1275  | 1        |
| O RING,9MM (Ref # 670)                   | 670D1509    | 3        |

# 1995 ZR1100 Zephyr PARTS LIST

Crankcase

| ITEM NAME                | PART NUMBER | QUANTITY |
|--------------------------|-------------|----------|
| O RING,16MM (Ref # 670A) | 670D2016    | 4        |