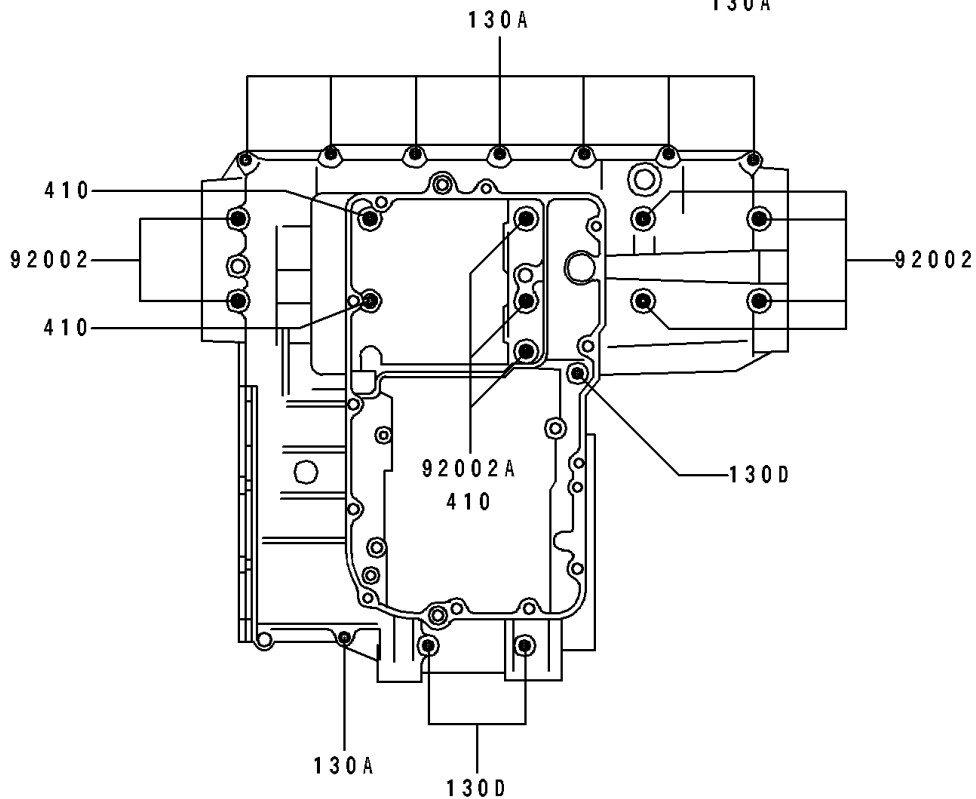
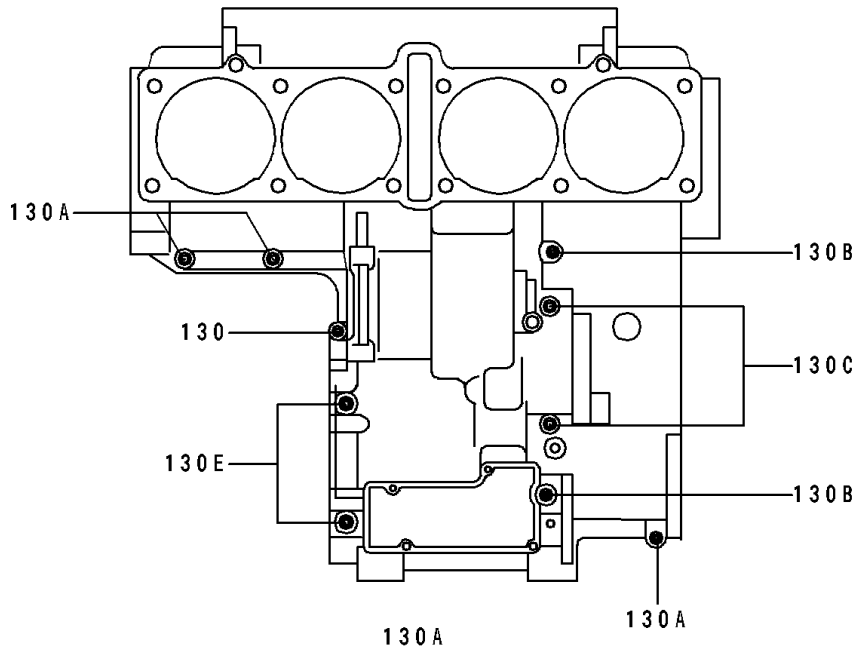


# 1992 ZR1100 Zephyr PARTS DIAGRAM

## Crankcase Bolt Pattern

E1412

Upper Case (Outside)



Lower Case (Outside)

# 1992 ZR1100 Zephyr PARTS LIST

## Crankcase Bolt Pattern

| ITEM NAME                           | PART NUMBER | QUANTITY |
|-------------------------------------|-------------|----------|
| BOLT,10X95 (Ref # 92002)            | 92002-1651  | 6        |
| BOLT,10X145 (Ref # 92002A)          | 92002-1652  | 3        |
| BOLT-FLANGED (Ref # 130)            | 130Y0635    | 1        |
| BOLT-FLANGED (Ref # 130A)           | 130Y0640    | 11       |
| BOLT-FLANGED (Ref # 130B)           | 130Y0690    | 2        |
| BOLT-FLANGED (Ref # 130C)           | 130Z06105   | 2        |
| BOLT-FLANGED (Ref # 130D)           | 130Z06120   | 3        |
| BOLT-FLANGED (Ref # 130E)           | 130Z0870    | 2        |
| WASHER-PLAIN-SMALL,10MM (Ref # 410) | 410B1000    | 5        |