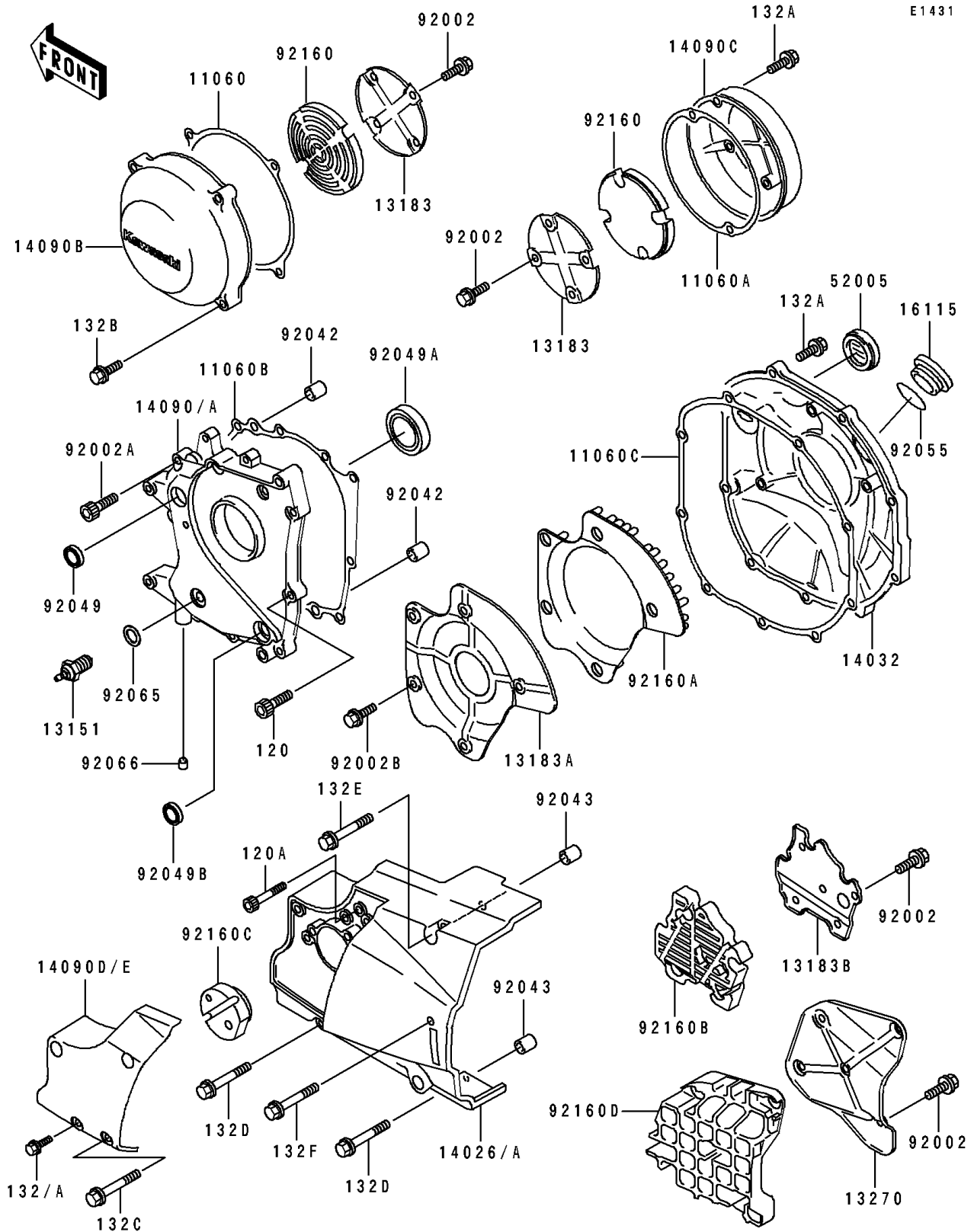


# 1992 ZR1100 Zephyr PARTS DIAGRAM

Engine Cover(s)



# 1992 ZR1100 Zephyr PARTS LIST

## Engine Cover(s)

ITEM NAME	PART NUMBER	QUANTITY
GASKET,COVER,LH (Ref # 11060)	11060-1097	1
GASKET,PULSING COIL COVER (Ref # 11060A)	11060-1098	1
GASKET,GEAR CASE (Ref # 11060B)	11060-1265	1
GASKET,CLUTCH COVER (Ref # 11060C)	11060-1284	1
SWITCH-COMP,NEUTRAL (Ref # 13151)	13151-1007	1
PLATE (Ref # 13183)	13183-1789	2
PLATE,CLUTCH COVER (Ref # 13183A)	13183-1790	1
PLATE,CHAIN COVER (Ref # 13183B)	13183-1861	1
PLATE,CHAIN COVER (Ref # 13270)	13270-1416	1
COVER-CHAIN (Ref # 14026A)	14026-1219	1
COVER-CLUTCH (Ref # 14032)	14032-1424	1
COVER,TRANSMISSION (Ref # 14090)	14090-1172	1
COVER,LH (Ref # 14090B)	14090-1570	1
COVER,PULSING COIL (Ref # 14090C)	14090-1571	1
COVER,CLUTCH RELEASE (Ref # 14090E)	14090-1587	1
CAP-OIL FILLER (Ref # 16115)	16115-1056	1
GAUGE,OIL LEVEL (Ref # 52005)	52005-1009	1
BOLT,6X10 (Ref # 92002)	92002-1449	18
BOLT,SOCKET,6X25 (Ref # 92002A)	92002-1696	1
BOLT,6X8 (Ref # 92002B)	92002-1944	5
PIN,DOWEL,6.3X8X14 (Ref # 92042)	92042-007	2
PIN,6.2X8X14 (Ref # 92043)	92043-1263	2
SEAL-OIL,SD-8187 (Ref # 92049)	92049-1017	1
SEAL-OIL,AE2343F0 (Ref # 92049A)	92049-1070	1
SEAL-OIL,TB13205 (Ref # 92049B)	92049-1186	1
RING-O,31.5X2.6 (Ref # 92055)	92055-049	1
GASKET,10.5X16X1,DRAIN PLUG (Ref # 92065)	92065-058	1
PLUG,OIL LINE,7.2X8 (Ref # 92066)	92066-1012	1
DAMPER (Ref # 92160)	92160-1332	2

# 1992 ZR1100 Zephyr PARTS LIST

## Engine Cover(s)

ITEM NAME	PART NUMBER	QUANTITY
DAMPER,CLUTCH COVER (Ref # 92160A)	92160-1333	1
DAMPER,CHAIN COVER (Ref # 92160B)	92160-1371	1
DAMPER,CLUTCH RELEASE COVER (Ref # 92160C)	92160-1373	1
DAMPER,CHAIN COVER (Ref # 92160D)	92160-1599	1
BOLT-SOCKET,6X25 (Ref # 120)	120P0625	8
BOLT-FLANGED-SMALL (Ref # 132)	132E0612	1
BOLT-FLANGED-SMALL (Ref # 132A)	132E0625	11
BOLT-FLANGED-SMALL (Ref # 132B)	132E0630	4
BOLT-FLANGED-SMALL (Ref # 132C)	132E0645	3
BOLT-FLANGED-SMALL (Ref # 132D)	132E0650	2
BOLT-FLANGED-SMALL (Ref # 132E)	132E0670	3