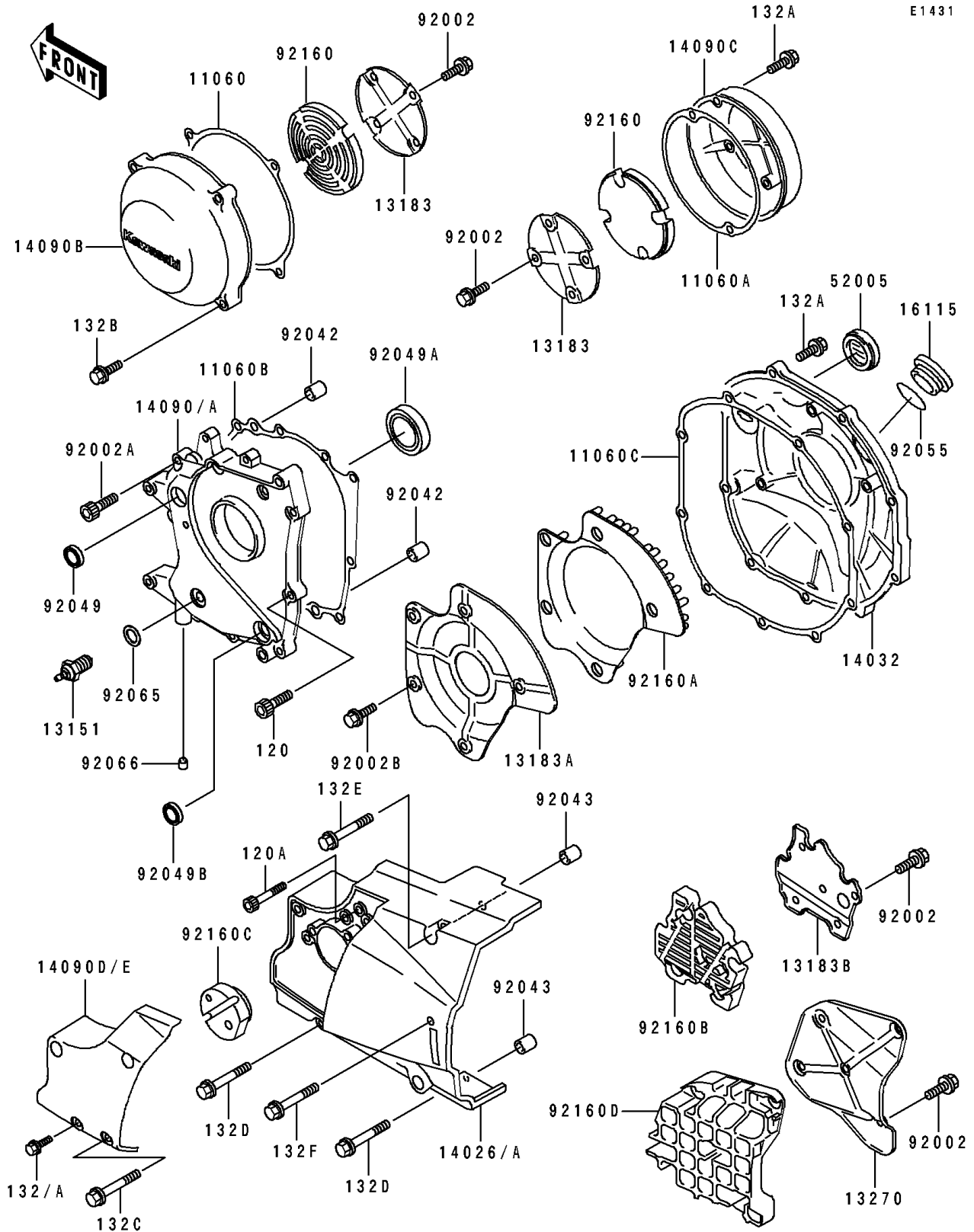


1993 ZR1100 Zephyr PARTS DIAGRAM

Engine Cover(s)



1993 ZR1100 Zephyr PARTS LIST

Engine Cover(s)

| ITEM NAME | PART NUMBER | QUANTITY |
|---|-------------|----------|
| GASKET,COVER,LH (Ref # 11060) | 11060-1097 | 1 |
| GASKET,PULSING COIL COVER (Ref # 11060A) | 11060-1098 | 1 |
| GASKET,GEAR CASE (Ref # 11060B) | 11060-1265 | 1 |
| GASKET,CLUTCH COVER (Ref # 11060C) | 11060-1284 | 1 |
| SWITCH-COMP,NEUTRAL (Ref # 13151) | 13151-1007 | 1 |
| PLATE (Ref # 13183) | 13183-1789 | 2 |
| PLATE,CLUTCH COVER (Ref # 13183A) | 13183-1790 | 1 |
| PLATE,CHAIN COVER (Ref # 13183B) | 13183-1861 | 1 |
| PLATE,CHAIN COVER (Ref # 13270) | 13270-1416 | 1 |
| COVER-CHAIN (Ref # 14026A) | 14026-1219 | 1 |
| COVER-CLUTCH (Ref # 14032) | 14032-1424 | 1 |
| COVER,TRANSMISSION (Ref # 14090) | 14090-1172 | 1 |
| COVER,LH (Ref # 14090B) | 14090-1570 | 1 |
| COVER,PULSING COIL (Ref # 14090C) | 14090-1571 | 1 |
| COVER,CLUTCH RELEASE (Ref # 14090E) | 14090-1587 | 1 |
| CAP-OIL FILLER (Ref # 16115) | 16115-1056 | 1 |
| GAUGE,OIL LEVEL (Ref # 52005) | 52005-1009 | 1 |
| BOLT,6X10 (Ref # 92002) | 92002-1449 | 18 |
| BOLT,SOCKET,6X25 (Ref # 92002A) | 92002-1696 | 1 |
| BOLT,6X8 (Ref # 92002B) | 92002-1944 | 5 |
| PIN,DOWEL,6.3X8X14 (Ref # 92042) | 92042-007 | 2 |
| PIN,6.2X8X14 (Ref # 92043) | 92043-1263 | 2 |
| SEAL-OIL,SD-8187 (Ref # 92049) | 92049-1017 | 1 |
| SEAL-OIL,AE2343F0 (Ref # 92049A) | 92049-1070 | 1 |
| SEAL-OIL,TB13205 (Ref # 92049B) | 92049-1186 | 1 |
| RING-O,31.5X2.6 (Ref # 92055) | 92055-049 | 1 |
| GASKET,10.5X16X1,DRAIN PLUG (Ref # 92065) | 92065-058 | 1 |
| PLUG,OIL LINE,7.2X8 (Ref # 92066) | 92066-1012 | 1 |
| DAMPER (Ref # 92160) | 92160-1332 | 2 |

1993 ZR1100 Zephyr PARTS LIST

Engine Cover(s)

| ITEM NAME | PART NUMBER | QUANTITY |
|--|-------------|----------|
| DAMPER,CLUTCH COVER (Ref # 92160A) | 92160-1333 | 1 |
| DAMPER,CHAIN COVER (Ref # 92160B) | 92160-1371 | 1 |
| DAMPER,CLUTCH RELEASE COVER (Ref # 92160C) | 92160-1373 | 1 |
| DAMPER,CHAIN COVER (Ref # 92160D) | 92160-1599 | 1 |
| BOLT-SOCKET,6X25 (Ref # 120) | 120P0625 | 8 |
| BOLT-FLANGED-SMALL (Ref # 132) | 132E0612 | 1 |
| BOLT-FLANGED-SMALL (Ref # 132A) | 132E0625 | 11 |
| BOLT-FLANGED-SMALL (Ref # 132B) | 132E0630 | 4 |
| BOLT-FLANGED-SMALL (Ref # 132C) | 132E0645 | 3 |
| BOLT-FLANGED-SMALL (Ref # 132D) | 132E0650 | 2 |
| BOLT-FLANGED-SMALL (Ref # 132E) | 132E0670 | 3 |