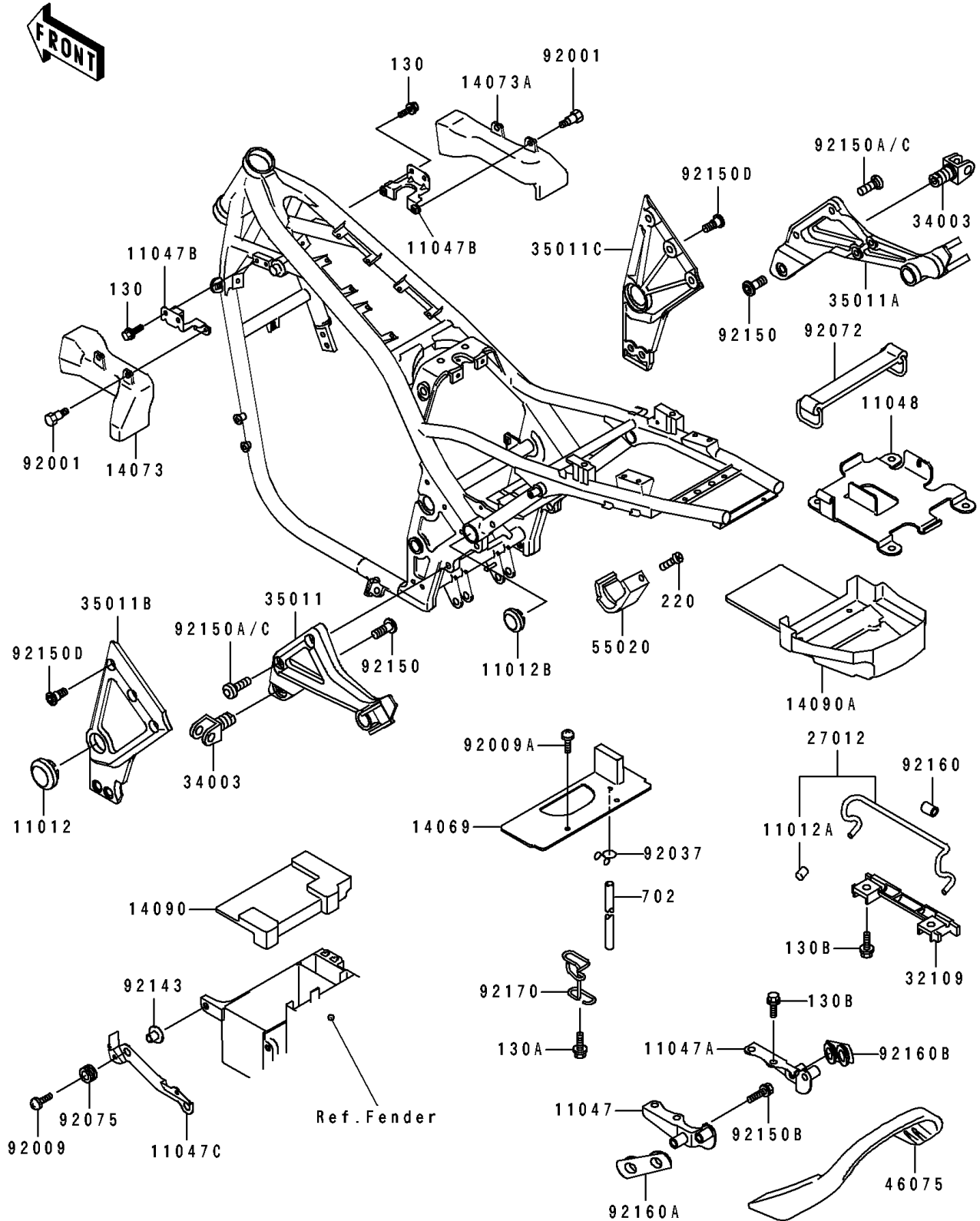


1993 ZR1100 Zephyr PARTS DIAGRAM

Battery Case

F2132



1993 ZR1100 Zephyr PARTS LIST

Battery Case

ITEM NAME	PART NUMBER	QUANTITY
CAP,SWING ARM BRACKET (Ref # 11012)	11012-1459	2
CAP,BUNGEE CORD HOOK (Ref # 11012A)	11012-1589	4
CAP,CROSS PIPE,C.GRAY (Ref # 11012B)	11012-1717-EZ	2
BRACKET,GRABRAIL,LH (Ref # 11047)	11047-1604	1
BRACKET,GRABRAIL,RH (Ref # 11047A)	11047-1605	1
BRACKET,DUCT (Ref # 11047B)	11047-1625	2
BRACKET,IGNITER (Ref # 11047C)	11047-1735	1
BRACKET,CANISTER (Ref # 11048)	11048-1159	1
BREATHER (Ref # 14069)	14069-1061	1
DUCT,LH (Ref # 14073)	14073-1528	1
DUCT,RH (Ref # 14073A)	14073-1529	1
COVER,BATTERY (Ref # 14090)	14090-1170	1
COVER,REAR FENDER,UPP (Ref # 14090A)	14090-1181	1
HOOK,BUNGEE CORD (Ref # 27012)	27012-1459	2
GRIP-FRAME (Ref # 32109)	32109-1219	2
HOLDER-STEP (Ref # 34003)	34003-1327	2
STAY,MUFFLER,LH,C.GRAY (Ref # 35011)	35011-1602-EZ	1
STAY,MUFFLER,RH,C.GRAY (Ref # 35011A)	35011-1603-EZ	1
STAY,SWING ARM PANEL,LH,C.GRAY (Ref # 35011B)	35011-1604-EZ	1
STAY,SWING ARM PANEL,RH,C.GRAY (Ref # 35011C)	35011-1605-EZ	1
GRIP,GRABRAIL,L.V.RED (Ref # 46075)	46075-1098-P5	1
GUARD,CHAIN (Ref # 55020)	55020-1422	1
BOLT,SIDE STAND LEVER (Ref # 92001)	92001-1955	4
SCREW,6X18,BLACK (Ref # 92009)	92009-1181	2
SCREW,6X14 (Ref # 92009A)	92009-1288	2
CLAMP,TUBE (Ref # 92037)	92037-147	1
BAND,BATTERY (Ref # 92072)	92072-1188	1
DAMPER (Ref # 92075)	92075-1947	2
COLLAR (Ref # 92143)	92143-1057	2

1993 ZR1100 Zephyr PARTS LIST

Battery Case

ITEM NAME	PART NUMBER	QUANTITY
BOLT,SOCKET,10X25 (Ref # 92150)	92150-1268	2
BOLT,SOCKET,10X25 (Ref # 92150A)	92150-1401	4
BOLT,FLANGED,8X30 (Ref # 92150B)	92150-1603	4
BOLT,SOCKET,8X20 (Ref # 92150D)	92150-1760	10
DAMPER,4.5X11X20 (Ref # 92160)	92160-1074	4
DAMPER,GRABRAIL,LH (Ref # 92160A)	92160-1341	1
DAMPER,GRABRAIL,RH (Ref # 92160B)	92160-1342	1
CLAMP,HOSE (Ref # 92170)	92170-1320	1
BOLT-FLANGED,6X10 (Ref # 130)	130G0610	4
BOLT-FLANGED (Ref # 130A)	130J0610	1
BOLT-FLANGED,8X14 (Ref # 130B)	130J0814	8
SCREW-PAN-CROS (Ref # 220)	220C0510	1
TUBE-RUBBER,7X10X280 (Ref # 702)	702A07280	1