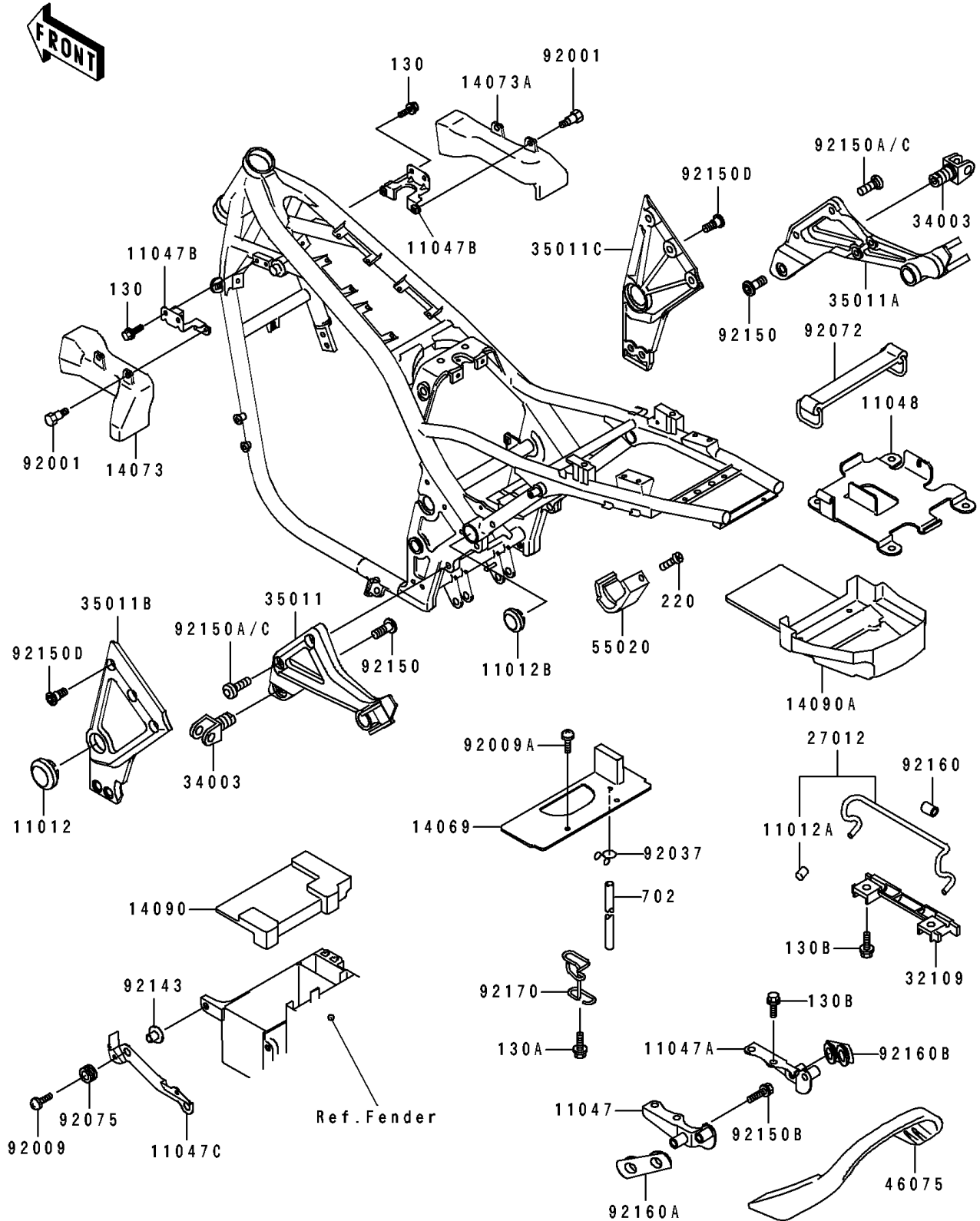


1995 ZR1100 Zephyr PARTS DIAGRAM

Battery Case

F2132



1995 ZR1100 Zephyr PARTS LIST

Battery Case

| ITEM NAME | PART NUMBER | QUANTITY |
|---|---------------|----------|
| CAP,SWING ARM BRACKET (Ref # 11012) | 11012-1459 | 2 |
| CAP,BUNGEE CORD HOOK (Ref # 11012A) | 11012-1589 | 4 |
| CAP,CROSS PIPE,C.GRAY (Ref # 11012B) | 11012-1717-EZ | 2 |
| BRACKET,GRABRAIL,LH (Ref # 11047) | 11047-1604 | 1 |
| BRACKET,GRABRAIL,RH (Ref # 11047A) | 11047-1605 | 1 |
| BRACKET,DUCT (Ref # 11047B) | 11047-1625 | 2 |
| BRACKET,IGNITER (Ref # 11047C) | 11047-1735 | 1 |
| BREATHER (Ref # 14069) | 14069-1061 | 1 |
| DUCT,LH (Ref # 14073) | 14073-1528 | 1 |
| DUCT,RH (Ref # 14073A) | 14073-1529 | 1 |
| COVER,BATTERY (Ref # 14090) | 14090-1170 | 1 |
| COVER,REAR FENDER,UPP (Ref # 14090A) | 14090-1181 | 1 |
| HOOK,BUNGEE CORD (Ref # 27012) | 27012-1459 | 2 |
| GRIP-FRAME (Ref # 32109) | 32109-1219 | 2 |
| HOLDER-STEP (Ref # 34003) | 34003-1327 | 2 |
| STAY,MUFFLER,LH,C.GRAY (Ref # 35011) | 35011-1602-EZ | 1 |
| STAY,MUFFLER,RH,C.GRAY (Ref # 35011A) | 35011-1603-EZ | 1 |
| STAY,SWING ARM PANEL,LH,C.GRAY (Ref # 35011B) | 35011-1604-EZ | 1 |
| STAY,SWING ARM PANEL,RH,C.GRAY (Ref # 35011C) | 35011-1605-EZ | 1 |
| GRIP,GRABRAIL,L.V.RED (Ref # 46075) | 46075-1098-P5 | 1 |
| GUARD,CHAIN (Ref # 55020) | 55020-1422 | 1 |
| BOLT,SIDE STAND LEVER (Ref # 92001) | 92001-1955 | 4 |
| SCREW,6X18,BLACK (Ref # 92009) | 92009-1181 | 2 |
| SCREW,6X14 (Ref # 92009A) | 92009-1288 | 2 |
| CLAMP,TUBE (Ref # 92037) | 92037-147 | 1 |
| DAMPER (Ref # 92075) | 92075-1947 | 2 |
| COLLAR (Ref # 92143) | 92143-1057 | 2 |
| BOLT,SOCKET,10X25 (Ref # 92150) | 92150-1268 | 2 |
| BOLT,FLANGED,8X30 (Ref # 92150B) | 92150-1603 | 4 |

1995 ZR1100 Zephyr PARTS LIST

Battery Case

| ITEM NAME | PART NUMBER | QUANTITY |
|-----------------------------------|-------------|----------|
| BOLT,SOCKET,10X25 (Ref # 92150C) | 92150-1747 | 4 |
| BOLT,SOCKET,8X20 (Ref # 92150D) | 92150-1760 | 10 |
| DAMPER,4.5X11X20 (Ref # 92160) | 92160-1074 | 4 |
| DAMPER,GRABRAIL,LH (Ref # 92160A) | 92160-1341 | 1 |
| DAMPER,GRABRAIL,RH (Ref # 92160B) | 92160-1342 | 1 |
| CLAMP,HOSE (Ref # 92170) | 92170-1320 | 1 |
| BOLT-FLANGED,6X10 (Ref # 130) | 130G0610 | 4 |
| BOLT-FLANGED (Ref # 130A) | 130J0610 | 1 |
| BOLT-FLANGED,8X14 (Ref # 130B) | 130J0814 | 8 |
| SCREW-PAN-CROS (Ref # 220) | 220C0510 | 1 |
| TUBE-RUBBER,7X10X280 (Ref # 702) | 702A07280 | 1 |