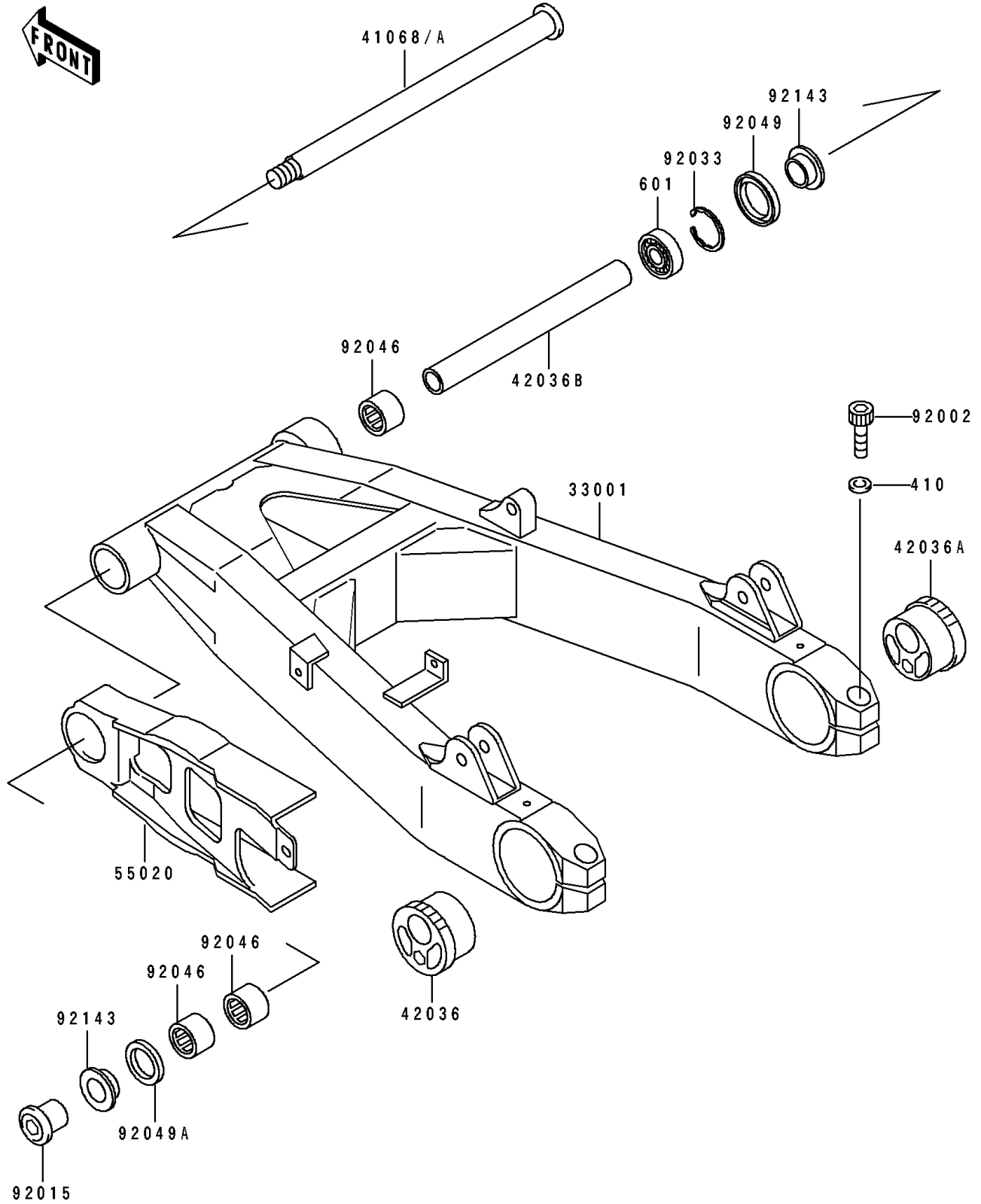


1995 ZR1100 Zephyr PARTS DIAGRAM

Swingarm

F2141



1995 ZR1100 Zephyr PARTS LIST

Swingarm

ITEM NAME	PART NUMBER	QUANTITY
ARM-COMP-SWING,SILVER NO.25 (Ref # 33001)	33001-1398-CE	1
AXLE,RR (Ref # 41068A)	41068-1354	1
SLEEVE,REAR AXLE,LH (Ref # 42036)	42036-1237	1
SLEEVE,REAR AXLE,RH (Ref # 42036A)	42036-1265	1
SLEEVE,SWING ARM,L=203.5 (Ref # 42036B)	42036-1266	1
GUARD,CHAIN (Ref # 55020)	55020-1420	1
BOLT,SOCKET,10X40 (Ref # 92002)	92002-1452	2
NUT,16MM (Ref # 92015)	92015-1835	1
RING-SNAP,42MM (Ref # 92033)	92033-1041	1
BEARING-NEEDLE,BM283417 (Ref # 92046)	92046-1111	3
SEAL-OIL,MHSA25 42 6 (Ref # 92049)	92049-1314	1
SEAL-OIL (Ref # 92049A)	92049-1352	1
COLLAR,SWING ARM,L=12.5 (Ref # 92143)	92143-1227	2
W-PLAIN-S (Ref # 410)	410E1000	2
BEARING-BALL,#6004 (Ref # 601)	601A6004	1