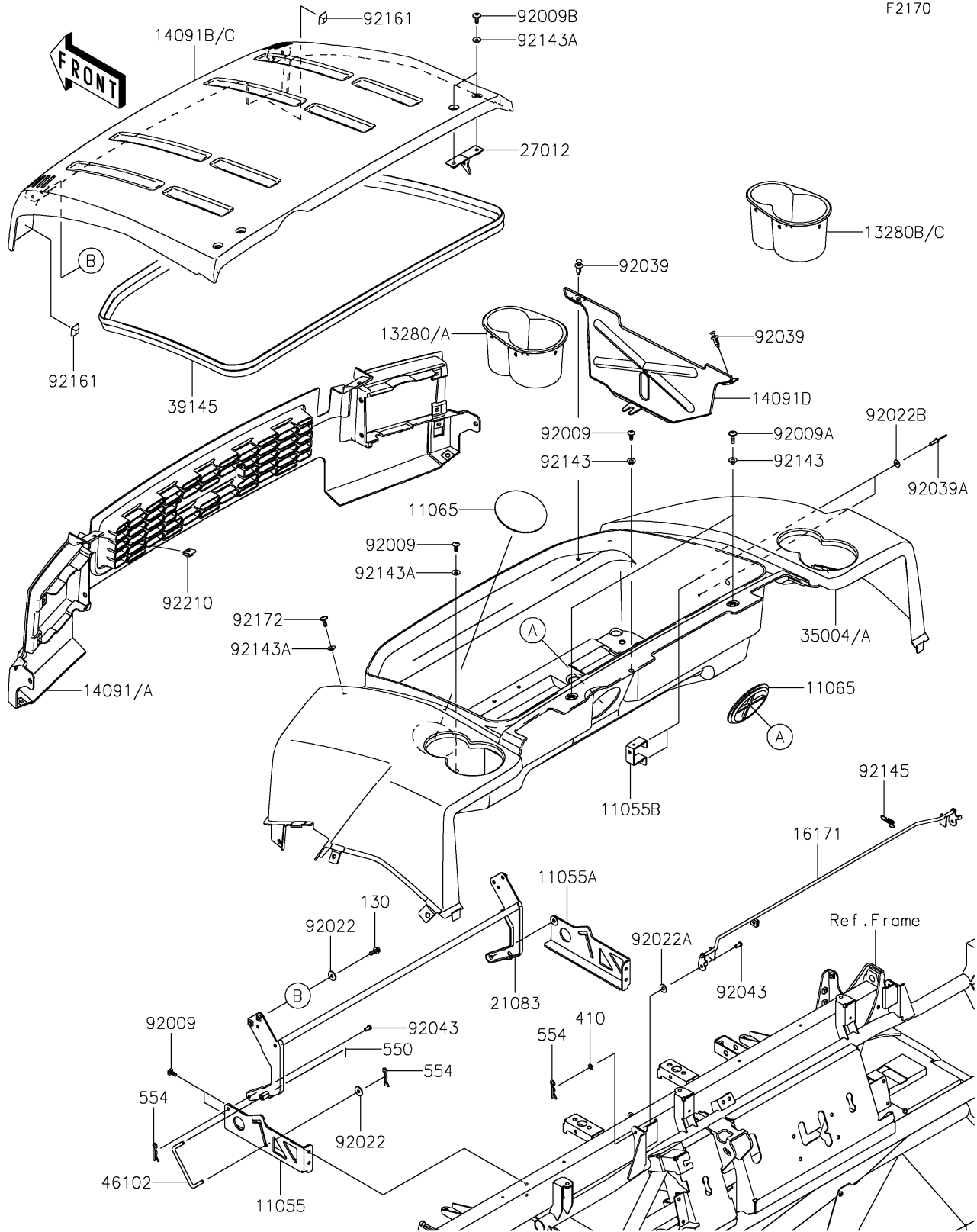


# 2020 MULE 4000 TRANS™ PARTS DIAGRAM

## Fenders



## 2020 MULE 4000 TRANS™ PARTS LIST

### Fenders

| ITEM NAME                                   | PART NUMBER    | QUANTITY |
|---|----------------|----------|
| BRACKET,HINGE,LH (Ref # 11055)              | 11055-0037     | 1        |
| BRACKET,HINGE,RH (Ref # 11055A)             | 11055-0038     | 1        |
| BRACKET,RESERVOIR TANK (Ref # 11055B)       | 11055-0124     | 1        |
| CAP,F.BLACK (Ref # 11065)                   | 11065-1053-6Z  | 2        |
| HOLDER,CUP HOLDER,LH,B.WHITE (Ref # 13280A) | 13280-0265-266 | 1        |
| HOLDER,CUP HOLDER,RH,B.WHITE (Ref # 13280C) | 13280-0266-266 | 1        |
| COVER,FRONT GRILL,B.WHITE (Ref # 14091A)    | 14091-0818-266 | 1        |
| COVER,FRONT FENDER,B.WHITE (Ref # 14091C)   | 14091-0829-266 | 1        |
| COVER,RESERVOIR TANK (Ref # 14091D)         | 14091-1715     | 1        |
| LINK (Ref # 16171)                          | 16171-0015     | 1        |
| ARM,HOOD (Ref # 21083)                      | 21083-0051     | 1        |
| HOOK,HOOD (Ref # 27012)                     | 27012-0119     | 2        |
| FENDER-FRONT,CNT,B.WHITE (Ref # 35004A)     | 35004-0096-266 | 1        |
| TRIM-SEAL,L=2350 (Ref # 39145)              | 39145-0032     | 1        |
| ROD (Ref # 46102)                           | 46102-0103     | 1        |
| SCREW,TAPPING,6X16 (Ref # 92009)            | 92009-1166     | 6        |
| SCREW,6X22,BLACK (Ref # 92009A)             | 92009-1256     | 2        |
| SCREW,6X16 (Ref # 92009B)                   | 92009-1621     | 4        |
| WASHER,6.5X20X1.6,BLACK (Ref # 92022)       | 92022-1346     | 5        |
| WASHER,7X18X1.2 (Ref # 92022A)              | 92022-1545     | 2        |
| WASHER,4.3X12.5X1 (Ref # 92022B)            | 92022-1949     | 2        |
| RIVET (Ref # 92039)                         | 92039-0776     | 2        |
| RIVET (Ref # 92039A)                        | 92039-1150     | 2        |
| PIN,6X9 (Ref # 92043)                       | 92043-1626     | 4        |
| COLLAR (Ref # 92143)                        | 92143-1057     | 3        |
| COLLAR (Ref # 92143A)                       | 92143-1087     | 7        |
| SPRING (Ref # 92145)                        | 92145-0215     | 1        |
| DAMPER,FR HOOD (Ref # 92161)                | 92161-0790     | 2        |
| SCREW,TAPPING,6X20 (Ref # 92172)            | 92172-0488     | 2        |

## 2020 MULE 4000 TRANS™ PARTS LIST

### Fenders

| ITEM NAME                         | PART NUMBER | QUANTITY |
|-----------------------------------|-------------|----------|
| NUT,LEAF SPRING,6MM (Ref # 92210) | 92210-0624  | 2        |
| BOLT-FLANGED,6X16 (Ref # 130)     | 130BA0616   | 4        |
| WASHER-PLAIN-SMALL (Ref # 410)    | 410AA0600   | 2        |
| PIN-COTTER,1.6X15 (Ref # 550)     | 550AA1615   | 1        |
| PIN-SNAP,1.2X21.2 (Ref # 554)     | 554DA0600   | 5        |