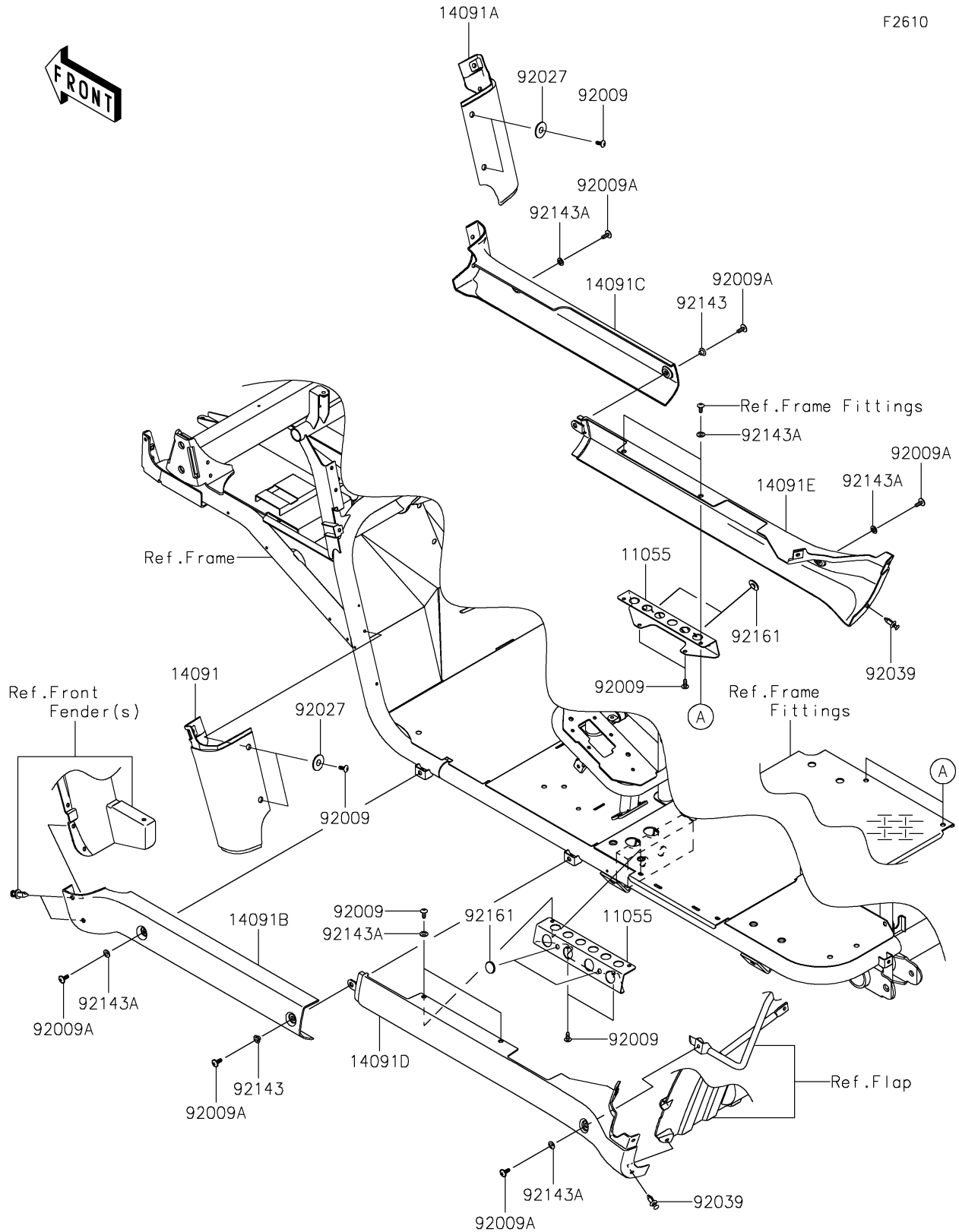


2019 MULE 4000 TRANS™ PARTS DIAGRAM

Side Covers/Chain Cover

F2610



2019 MULE 4000 TRANS™ PARTS LIST

Side Covers/Chain Cover

| ITEM NAME | PART NUMBER | QUANTITY |
|---|---------------|----------|
| BRACKET (Ref # 11055) | 11055-0599 | 2 |
| COVER,FR FENDER,LWR,LH,F.BLACK (Ref # 14091) | 14091-0821-6Z | 1 |
| COVER,FR FENDER,LWR,RH,F.BLACK (Ref # 14091A) | 14091-0822-6Z | 1 |
| COVER,SIDE STEP,FR,LH,F.BLACK (Ref # 14091B) | 14091-0823-6Z | 1 |
| COVER,SIDE STEP,FR,RH,F.BLACK (Ref # 14091C) | 14091-0824-6Z | 1 |
| COVER,SIDE STEP,RR,LH,F.BLACK (Ref # 14091D) | 14091-0825-6Z | 1 |
| COVER,SIDE STEP,RR,RH,F.BLACK (Ref # 14091E) | 14091-0826-6Z | 1 |
| SCREW,TAPPING,6X16 (Ref # 92009) | 92009-1166 | 10 |
| SCREW,6X16 (Ref # 92009A) | 92009-1621 | 6 |
| COLLAR,L=4.7 (Ref # 92027) | 92027-1964 | 4 |
| RIVET (Ref # 92039) | 92039-0776 | 2 |
| COLLAR (Ref # 92143) | 92143-1057 | 2 |
| COLLAR (Ref # 92143A) | 92143-1087 | 8 |
| DAMPER,RUBBER (Ref # 92161) | 92161-1200 | 4 |