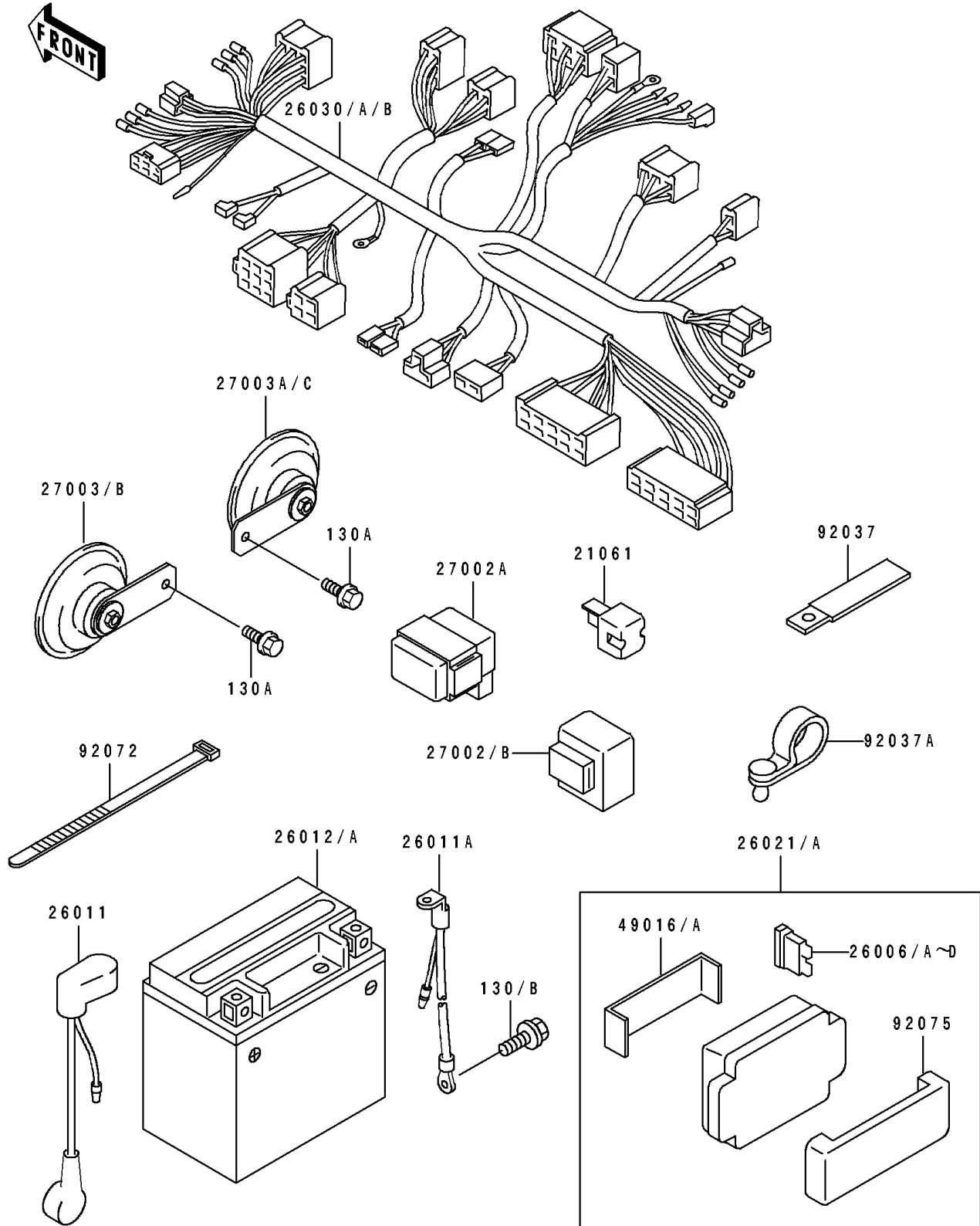


1995 ZR1100 Zephyr PARTS DIAGRAM

Chassis Electrical Equipment

F2760



1995 ZR1100 Zephyr PARTS LIST

Chassis Electrical Equipment

ITEM NAME	PART NUMBER	QUANTITY
FUSE,30A-G (Ref # 26006B)	26006-1067	2
FUSE,10A-R (Ref # 26006C)	26006-1068	6
FUSE,15A-B (Ref # 26006D)	26006-1069	1
WIRE-LEAD,BATTERY(+) (Ref # 26011)	26011-1531	1
WIRE-LEAD,BATTERY(-) (Ref # 26011A)	26011-1532	1
BATTERY,FTH16-BS,12V 14AH (Ref # 26012A)	26012-1296	1
JUNCTION BOX (Ref # 26021A)	26021-1099	1
HARNESS,MAIN (Ref # 26030B)	26030-1344	1
RELAY-ASSY,HEAD LAMP (Ref # 27002A)	27002-1078	1
RELAY-ASSY,SIGNAL LAMP (Ref # 27002B)	27002-1092	1
HORN,LH (Ref # 27003B)	27003-1370	1
HORN,RH (Ref # 27003C)	27003-1371	1
COVER-SEAL,FUSE (Ref # 49016A)	49016-1180	1
CLAMP,WIRING HARNESS (Ref # 92037)	92037-1069	2
CLAMP (Ref # 92037A)	92037-1290	2
BAND,L=185 (Ref # 92072)	92072-1195	5
DAMPER,JUNCTION BOX (Ref # 92075)	92075-1688	1
BOLT-FLANGED (Ref # 130A)	130J0812	2
BOLT-FLANGED,6X10 (Ref # 130B)	130V0610	1