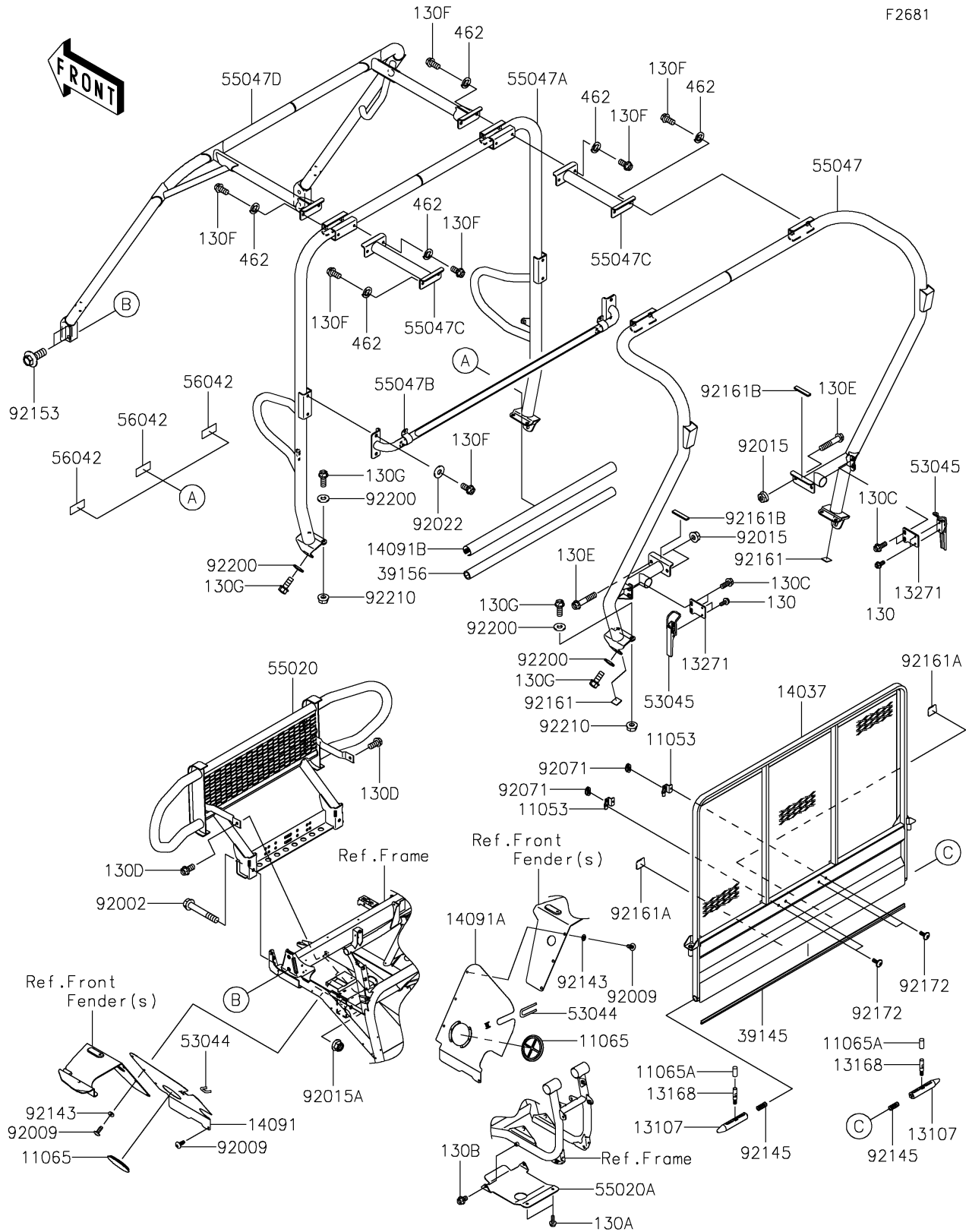


2018 MULE 4000 TRANS™ PARTS DIAGRAM

Guards/Cab Frame

F2681



2018 MULE 4000 TRANS™ PARTS LIST

Guards/Cab Frame

| ITEM NAME | PART NUMBER | QUANTITY |
|--|----------------|----------|
| BRACKET,SCREEN (Ref # 11053) | 11053-7528 | 2 |
| CAP,F.BLACK (Ref # 11065) | 11065-1053-6Z | 2 |
| CAP (Ref # 11065A) | 11065-7503 | 2 |
| SHAFT (Ref # 13107) | 13107-7501 | 2 |
| LEVER (Ref # 13168) | 13168-7506 | 2 |
| PLATE,HOOK (Ref # 13271) | 13271-7540 | 2 |
| SCREEN,REAR CAB,T.BLACK (Ref # 14037) | 14037-7501-388 | 1 |
| COVER,FR,LH (Ref # 14091) | 14091-1758 | 1 |
| COVER,FR,RH (Ref # 14091A) | 14091-1759 | 1 |
| COVER (Ref # 14091B) | 14091-7559 | 1 |
| TRIM-SEAL,L=1157 (Ref # 39145) | 39145-7502 | 1 |
| PAD (Ref # 39156) | 39156-7506 | 1 |
| TRIM (Ref # 53044) | 53044-1137 | 2 |
| HOOK-ASSY (Ref # 53045) | 53045-7501 | 2 |
| GUARD,FR (Ref # 55020) | 55020-0876 | 1 |
| GUARD,GEAR CASE (Ref # 55020A) | 55020-7506 | 1 |
| BAR-COMP,RR,T.BLACK (Ref # 55047) | 55047-0020-388 | 1 |
| BAR-COMP,CNT,T.BLACK (Ref # 55047A) | 55047-0353-388 | 1 |
| BAR-COMP,FRONT SEAT,T.BLACK (Ref # 55047B) | 55047-7503-388 | 1 |
| BAR-COMP,TOP,T.BLACK (Ref # 55047C) | 55047-7504-388 | 2 |
| BAR-COMP,FR,T.BLACK (Ref # 55047D) | 55047-7510-388 | 1 |
| ADHESIVE (Ref # 56042) | 56042-7502 | 3 |
| BOLT,FLANGED,12X75 (Ref # 92002) | 92002-1661 | 2 |
| SCREW,TAPPING,6X16 (Ref # 92009) | 92009-1166 | 8 |
| NUT,FLANGED,10MM (Ref # 92015) | 92015-1428 | 4 |
| NUT,LOCK,FLANGED,12MM (Ref # 92015A) | 92015-1433 | 2 |
| WASHER,10.5X26X2.3,BLACK (Ref # 92022) | 92022-1396 | 4 |
| GROMMET (Ref # 92071) | 92071-7505 | 2 |
| COLLAR (Ref # 92143) | 92143-1087 | 6 |

2018 MULE 4000 TRANS™ PARTS LIST

Guards/Cab Frame

| ITEM NAME | PART NUMBER | QUANTITY |
|-------------------------------------|-------------|----------|
| SPRING,TENSIONER (Ref # 92145) | 92145-1215 | 2 |
| BOLT,FLANGED,14X36 (Ref # 92153) | 92153-1282 | 4 |
| DAMPER (Ref # 92161) | 92161-0020 | 2 |
| DAMPER (Ref # 92161A) | 92161-0061 | 2 |
| DAMPER (Ref # 92161B) | 92161-7514 | 2 |
| SCREW,6X14 (Ref # 92172) | 92172-0004 | 4 |
| WASHER,10.2X23X2.5 (Ref # 92200) | 92200-7506 | 12 |
| NUT,LOCK,FLANGED,10MM (Ref # 92210) | 92210-0276 | 8 |
| BOLT-FLANGED,6X14 (Ref # 130) | 130BA0614 | 4 |
| BOLT-FLANGED,6X16 (Ref # 130A) | 130BA0616 | 2 |
| BOLT-FLANGED,8X12 (Ref # 130B) | 130BA0812 | 2 |
| BOLT-FLANGED,8X20 (Ref # 130C) | 130BA0820 | 4 |
| BOLT-FLANGED,10X20 (Ref # 130D) | 130BA1020 | 2 |
| BOLT-FLANGED,10X50 (Ref # 130E) | 130BA1050 | 4 |
| BOLT-FLANGED,10X20 (Ref # 130F) | 130BB1020 | 16 |
| BOLT-FLANGED,10X25 (Ref # 130G) | 130BB1025 | 12 |
| WASHER-SPRING,10MM (Ref # 462) | 462DB1000 | 12 |