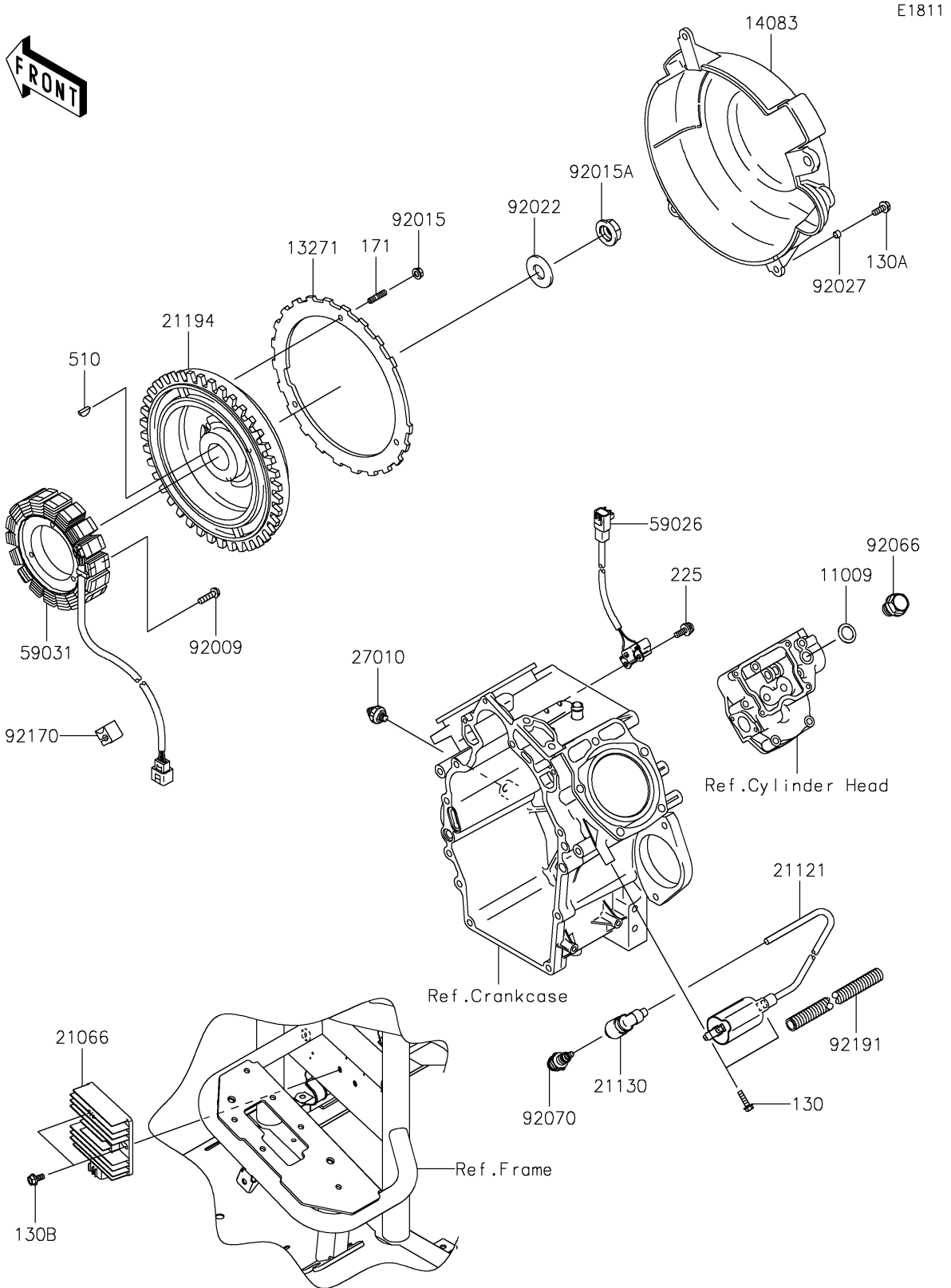


# 2019 MULE™ 4010 4x4 PARTS DIAGRAM

## Generator/Ignition Coil



## 2019 MULE™ 4010 4x4 PARTS LIST

### Generator/Ignition Coil

| ITEM NAME                                  | PART NUMBER | QUANTITY |
|--|-------------|----------|
| GASKET,16X24X1 (Ref # 11009)               | 11009-2566  | 1        |
| PLATE (Ref # 13271)                        | 13271-2269  | 1        |
| COVER-FLYWHEEL (Ref # 14083)               | 14083-2052  | 1        |
| REGULATOR-VOLTAGE (Ref # 21066)            | 21066-0717  | 1        |
| COIL-IGNITION (Ref # 21121)                | 21121-2092  | 2        |
| CAP-SPARK PLUG (Ref # 21130)               | 21130-2060  | 2        |
| FLYWHEEL-COMP (Ref # 21194)                | 21194-2352  | 1        |
| SWITCH,OIL PRESSURE (Ref # 27010)          | 27010-1313  | 1        |
| COIL-PULSING (Ref # 59026)                 | 59026-0559  | 1        |
| COIL-CHARGING (Ref # 59031)                | 59031-2136  | 1        |
| SCREW,6X25 (Ref # 92009)                   | 92009-2273  | 3        |
| NUT,FLANGED,6MM (Ref # 92015)              | 92015-1367  | 3        |
| NUT (Ref # 92015A)                         | 92015-2167  | 1        |
| WASHER (Ref # 92022)                       | 92022-2229  | 1        |
| COLLAR,6.2X7.8X5 (Ref # 92027)             | 92027-2096  | 3        |
| PLUG,DRAIN (Ref # 92066)                   | 92066-2099  | 1        |
| PLUG-SPARK,BPR2ES(NGK),SOLID (Ref # 92070) | 92070-2110  | 2        |
| CLAMP (Ref # 92170)                        | 92170-2056  | 1        |
| TUBE (Ref # 92191)                         | 92191-2124  | 1        |
| BOLT-FLANGED,5X18 (Ref # 130)              | 130BA0518   | 4        |
| BOLT-FLANGED,6X16 (Ref # 130A)             | 130BA0616   | 3        |
| BOLT-FLANGED,6X14 (Ref # 130B)             | 130BB0614   | 2        |
| BOLT-STUD,6X18 (Ref # 171)                 | 171BA0618   | 3        |
| SCREW-PAN-WSP-CROS,4X14 (Ref # 225)        | 225AA0414   | 2        |
| KEY-WOODRUFF (Ref # 510)                   | 510A5100    | 1        |