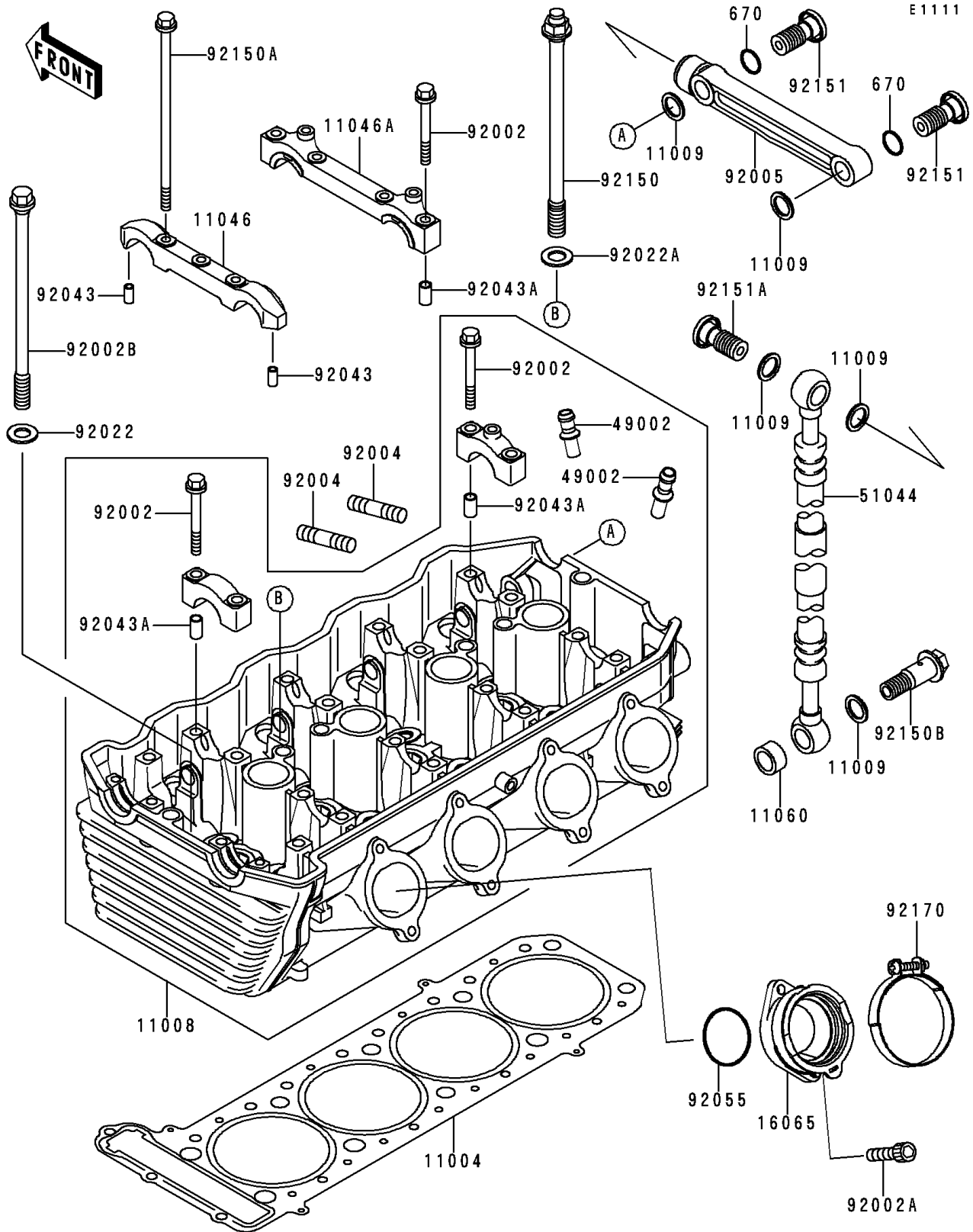


2000 ZRX1100 PARTS DIAGRAM

Cylinder Head



2000 ZRX1100 PARTS LIST

Cylinder Head

| ITEM NAME | PART NUMBER | QUANTITY |
|-------------------------------------|-------------|----------|
| O RING,15MM (Ref # 670) | 670B2015 | 2 |
| GASKET-HEAD (Ref # 11004) | 11004-1248 | 1 |
| HEAD-COMP-CYLINDER (Ref # 11008) | 11008-1325 | 1 |
| GASKET,14X19.5X1.4 (Ref # 11009) | 11009-1461 | 5 |
| BRACKET,CAMSHAFT,#9 (Ref # 11046) | 11046-1150 | 1 |
| BRACKET,CAMSHAFT,#10 (Ref # 11046A) | 11046-1151 | 1 |
| GASKET (Ref # 11060) | 11060-1369 | 1 |
| HOLDER-CARBURETOR (Ref # 16065) | 16065-1307 | 4 |
| GUIDE-VALVE (Ref # 49002) | 49002-1097 | AR |
| TUBE-ASSY,OIL (Ref # 51044) | 51044-1198 | 1 |
| BOLT,6X40 (Ref # 92002) | 92002-1756 | 18 |
| BOLT,SOCKET,6X16 (Ref # 92002A) | 92002-1778 | 8 |
| BOLT,10X164 (Ref # 92002B) | 92002-1943 | 4 |
| STUD,8X22 (Ref # 92004) | 92004-1181 | 8 |
| FITTING (Ref # 92005) | 92005-1328 | 1 |
| WASHER,10.5X20X1.6 (Ref # 92022) | 92022-1591 | 4 |
| WASHER,11.5X20.5X1.6 (Ref # 92022A) | 92022-1720 | 6 |
| PIN,4.2X6X12 (Ref # 92043) | 92043-1262 | 2 |
| PIN,6.2X8X14 (Ref # 92043A) | 92043-1263 | 18 |
| RING-O,43.7X1.9 (Ref # 92055) | 92055-1401 | 4 |
| BOLT,11X164 (Ref # 92150) | 92150-1075 | 6 |
| BOLT,6X148 (Ref # 92150A) | 92150-1076 | 2 |
| BOLT,BANJO,12X40.5 (Ref # 92150B) | 92150-1077 | 1 |
| BOLT (Ref # 92151) | 92151-1147 | 2 |
| BOLT (Ref # 92151A) | 92151-1148 | 1 |
| CLAMP (Ref # 92170) | 92170-1066 | 4 |