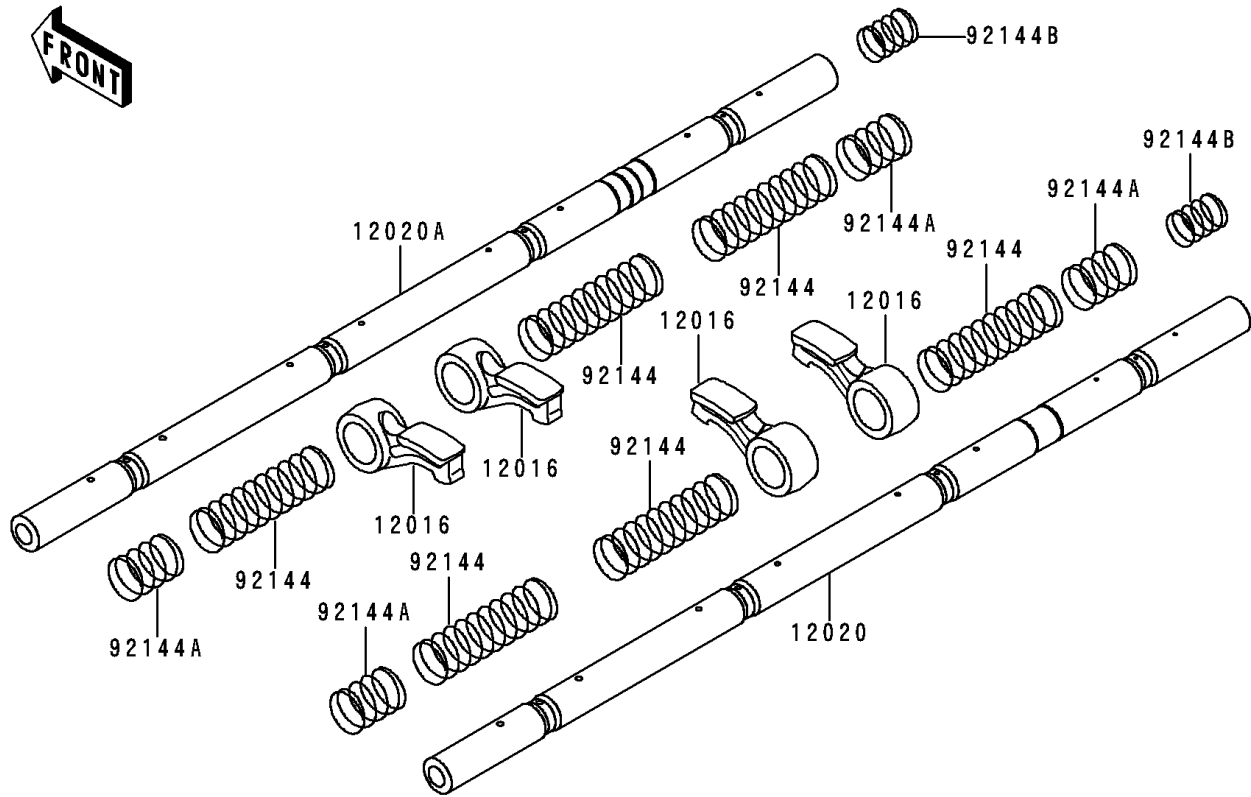


2000 ZRX1100 PARTS DIAGRAM

Valve(s)

E1210



92025/A~X
92180/A

12011

12009

49078

16007

92049

12005

92025/A~X
92180/A

12011

12009

49078

16007

92049

12004

2000 ZRX1100 PARTS LIST

Valve(s)

ITEM NAME	PART NUMBER	QUANTITY
-----------	-------------	----------