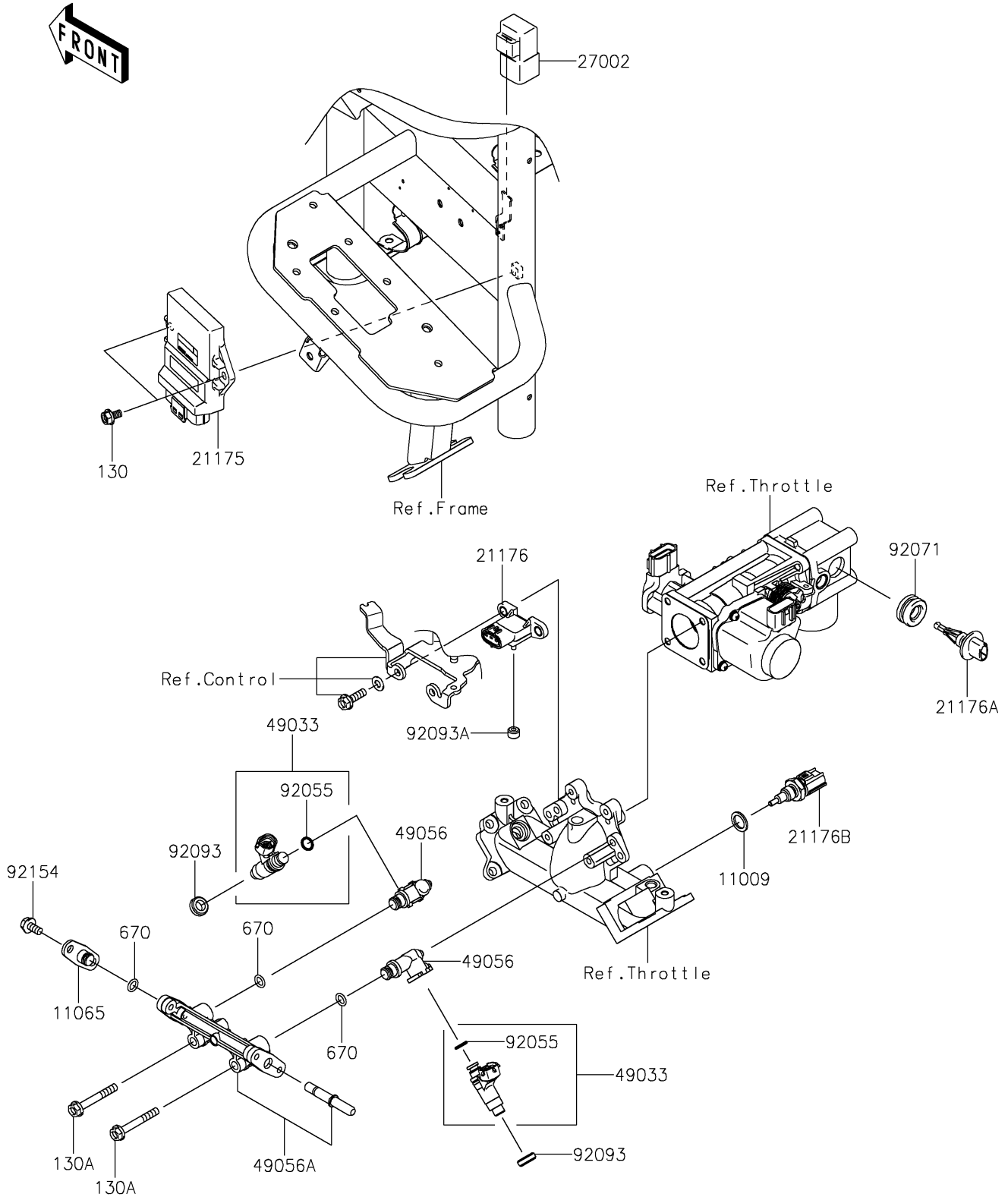


# 2020 MULE™ 4010 TRANS4x4® CAMO PARTS DIAGRAM

Fuel Injection

E1530



## 2020 MULE™ 4010 TRANS4x4® CAMO PARTS LIST

### Fuel Injection

| ITEM NAME                                  | PART NUMBER | QUANTITY |
|--|-------------|----------|
| GASKET,12.5X18X1.5 (Ref # 11009)           | 11009-1376  | 1        |
| CAP (Ref # 11065)                          | 11065-2129  | 1        |
| CONTROL UNIT-ELECTRONIC,F.I. (Ref # 21175) | 21175-1629  | 1        |
| SENSOR,PRESSURE (Ref # 21176)              | 21176-1095  | 1        |
| SENSOR,AIR TEMP (Ref # 21176A)             | 21176-2106  | 1        |
| SENSOR (Ref # 21176B)                      | 21176-2111  | 1        |
| RELAY-ASSY (Ref # 27002)                   | 27002-1088  | 1        |
| NOZZLE-INJECTION (Ref # 49033)             | 49033-2060  | 2        |
| PIPE-INJECTION (Ref # 49056)               | 49056-2062  | 2        |
| PIPE-INJECTION (Ref # 49056A)              | 49056-6003  | 1        |
| RING-O,INJECTION NOZZLE (Ref # 92055)      | 92055-1622  | 2        |
| GROMMET (Ref # 92071)                      | 92071-2140  | 1        |
| SEAL (Ref # 92093)                         | 92093-2119  | 2        |
| SEAL (Ref # 92093A)                        | 92093-2127  | 1        |
| BOLT,6X12 (Ref # 92154)                    | 92154-2938  | 2        |
| BOLT-FLANGED,6X16 (Ref # 130)              | 130BB0616   | 2        |
| BOLT-FLANGED,6X45 (Ref # 130A)             | 130CA0645   | 2        |
| O RING,8MM (Ref # 670)                     | 670E1508    | 3        |