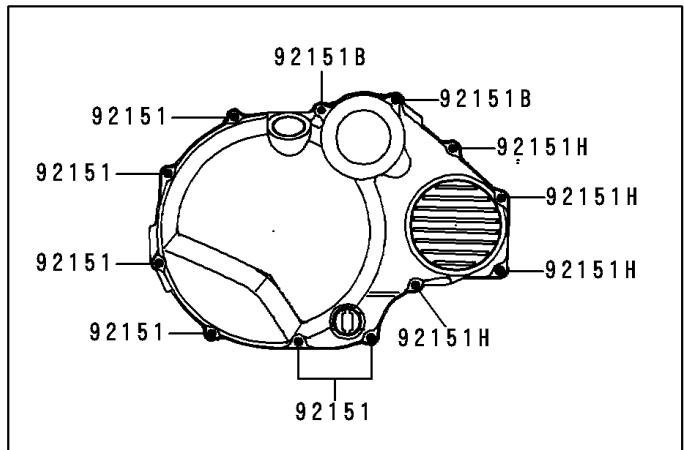
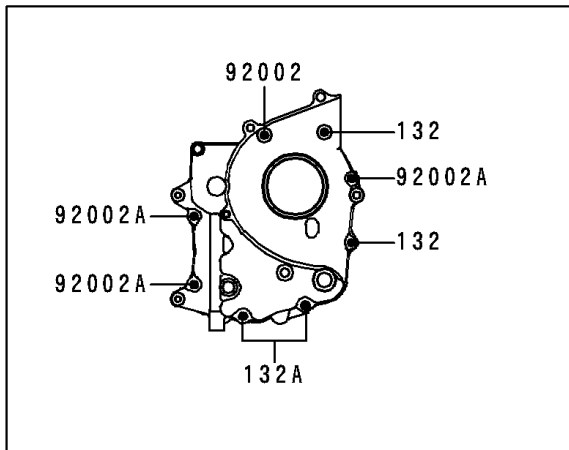
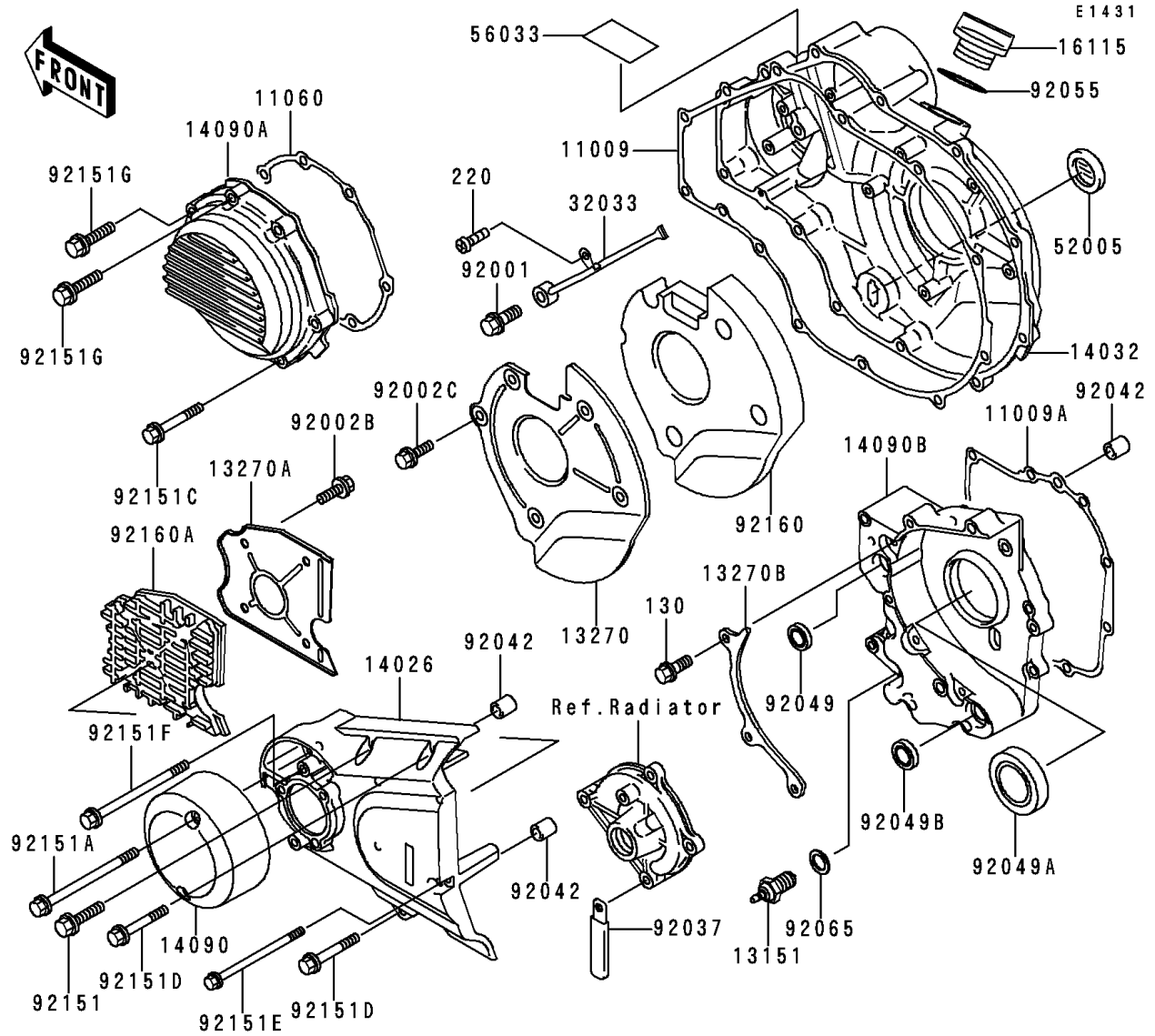


# 2000 ZRX1100 PARTS DIAGRAM

Engine Cover(s)



## 2000 ZRX1100 PARTS LIST

### Engine Cover(s)

| ITEM NAME                                 | PART NUMBER | QUANTITY |
|---|-------------|----------|
| BOLT-FLANGED (Ref # 130)                  | 130S0614    | 3        |
| GASKET,CLUTCH COVER (Ref # 11009)         | 11009-1860  | 1        |
| GASKET,TRANSMISSION COVER (Ref # 11009A)  | 11009-1982  | 1        |
| GASKET,PULSING COVER (Ref # 11060)        | 11060-1695  | 1        |
| SWITCH-COMP,NEUTRAL (Ref # 13151)         | 13151-1080  | 1        |
| PLATE (Ref # 13270)                       | 13270-1765  | 1        |
| PLATE (Ref # 13270A)                      | 13270-1771  | 1        |
| PLATE,TRANSMISSION (Ref # 13270B)         | 13270-1911  | 1        |
| COVER-CHAIN (Ref # 14026)                 | 14026-1249  | 1        |
| COVER-CLUTCH (Ref # 14032)                | 14032-1457  | 1        |
| COVER,RELEASE (Ref # 14090)               | 14090-1777  | 1        |
| COVER,PULSING (Ref # 14090A)              | 14090-1786  | 1        |
| COVER,TRANSMISSION (Ref # 14090B)         | 14090-1877  | 1        |
| CAP-OIL FILLER (Ref # 16115)              | 16115-1009  | 1        |
| PIPE,CLUTCH COVER (Ref # 32033)           | 32033-1204  | 1        |
| GAUGE,OIL LEVEL (Ref # 52005)             | 52005-1009  | 1        |
| LABEL-MANUAL,OIL CAPACITY (Ref # 56033)   | 56033-1073  | 1        |
| BOLT,BANJO,8X20 (Ref # 92001)             | 92001-1855  | 1        |
| BOLT,6X20 (Ref # 92002)                   | 92002-1343  | 1        |
| BOLT,6X25 (Ref # 92002A)                  | 92002-1344  | 3        |
| BOLT,6X10 (Ref # 92002B)                  | 92002-1449  | 4        |
| BOLT,6X10 (Ref # 92002C)                  | 92002-1541  | 5        |
| CLAMP,WIRING HARNESS,L=60 (Ref # 92037)   | 92037-1069  | 1        |
| PIN,DOWEL,6.3X8X14 (Ref # 92042)          | 92042-007   | 4        |
| SEAL-OIL,SD-8187 (Ref # 92049)            | 92049-1017  | 1        |
| SEAL-OIL,AE2343F0 (Ref # 92049A)          | 92049-1070  | 1        |
| SEAL-OIL,TB13205 (Ref # 92049B)           | 92049-1186  | 1        |
| RING-O,31.5X2.6 (Ref # 92055)             | 92055-049   | 1        |
| GASKET,10.5X16X1,DRAIN PLUG (Ref # 92065) | 92065-058   | 1        |

## 2000 ZRX1100 PARTS LIST

### Engine Cover(s)

| ITEM NAME                       | PART NUMBER | QUANTITY |
|---------------------------------|-------------|----------|
| BOLT,6X25 (Ref # 92151)         | 92151-1130  | 7        |
| BOLT,6X40 (Ref # 92151A)        | 92151-1131  | 2        |
| BOLT,6X55 (Ref # 92151B)        | 92151-1132  | 2        |
| BOLT,6X30 (Ref # 92151C)        | 92151-1134  | 5        |
| BOLT,6X35 (Ref # 92151D)        | 92151-1135  | 2        |
| BOLT,6X65 (Ref # 92151E)        | 92151-1199  | 1        |
| BOLT,6X80 (Ref # 92151F)        | 92151-1200  | 1        |
| BOLT,6X30 (Ref # 92151G)        | 92151-1201  | 2        |
| BOLT,6X40 (Ref # 92151H)        | 92151-1202  | 4        |
| DAMPER (Ref # 92160)            | 92160-1812  | 1        |
| DAMPER (Ref # 92160A)           | 92160-1819  | 1        |
| BOLT-FLANGED-SMALL (Ref # 132)  | 132J0620    | 2        |
| BOLT-FLANGED-SMALL (Ref # 132A) | 132J0650    | 2        |
| SCREW-PAN-CROS (Ref # 220)      | 220B0510    | 1        |