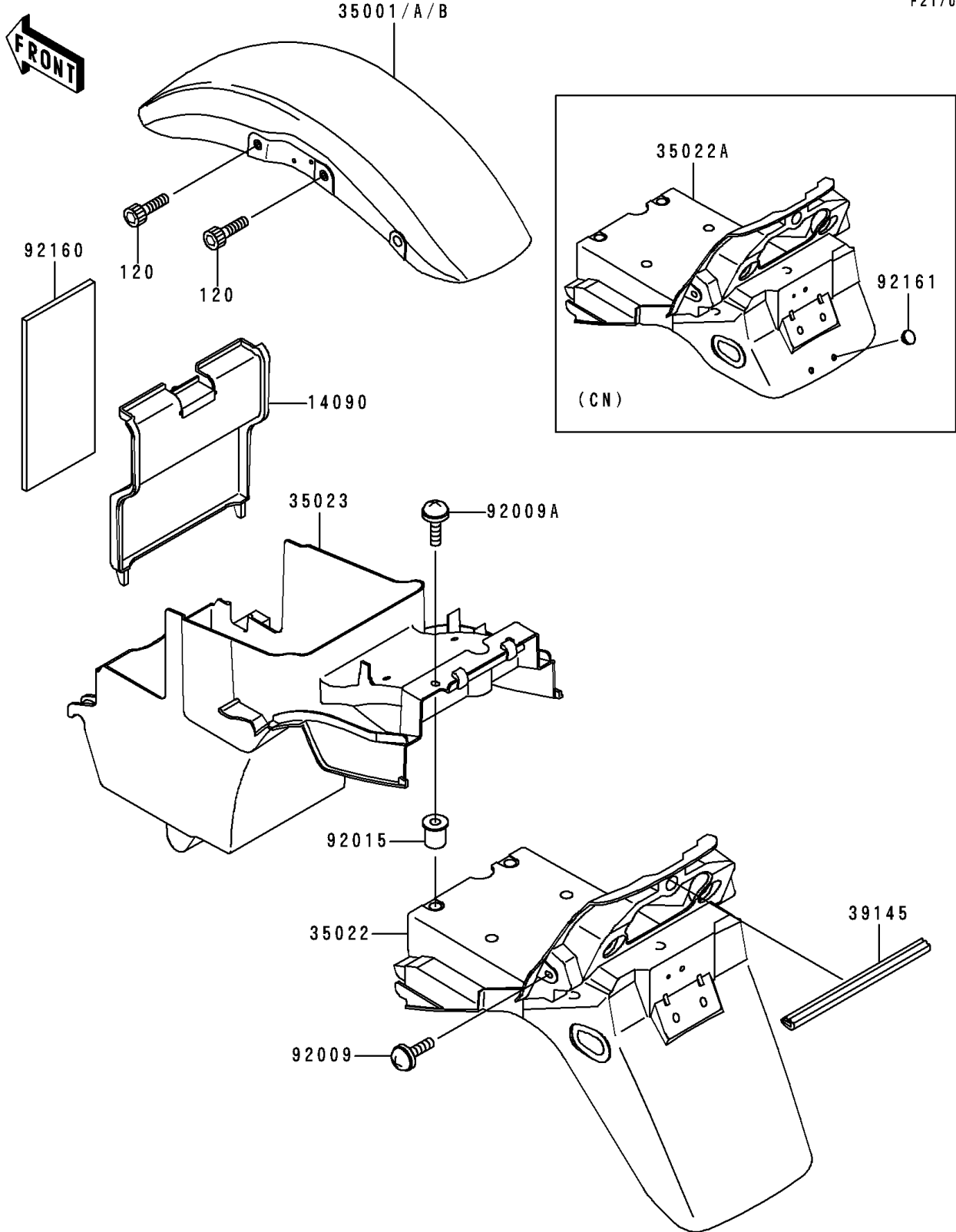


2000 ZRX1100 PARTS DIAGRAM

Fenders

F2170



2000 ZRX1100 PARTS LIST

Fenders

ITEM NAME	PART NUMBER	QUANTITY
BOLT-SOCKET,6X20 (Ref # 120)	120S0620	4
COVER,BATTERY (Ref # 14090)	14090-1768	1
FENDER-ASSY-FRONT,P.J.GREEN (Ref # 35001B)	35001-1175-U5	1
FENDER-REAR,FR (Ref # 35023)	35023-1488	1
TRIM-SEAL,L=120 (Ref # 39145)	39145-1104	1
SCREW,6X14 (Ref # 92009)	92009-1662	2
SCREW,6X18 (Ref # 92009A)	92009-1663	2
NUT (Ref # 92015)	92015-1700	2
DAMPER (Ref # 92160)	92160-1851	1
FENDER-ASSY-FRONT,F.RED (Ref # 35001)	35001-1175-B1	1
FENDER-ASSY-FRONT,EBONY (Ref # 35001A)	35001-1175-H8	1
FENDER-COMP-REAR,RR (Ref # 35022)	35022-1336	1
FENDER-COMP-REAR,RR (Ref # 35022A)	35022-1341	1
DAMPER (Ref # 92161)	92161-1084	2