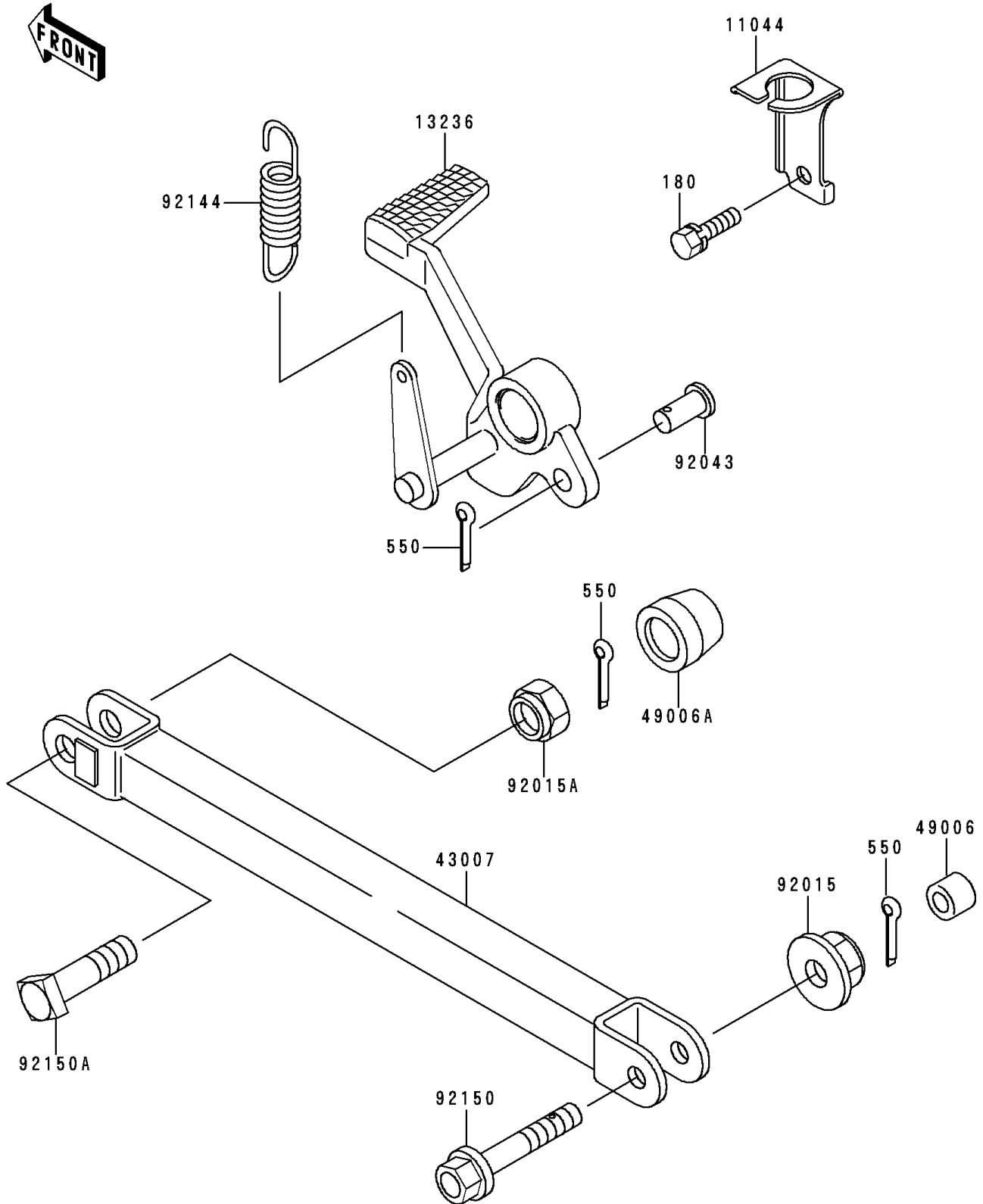


1999 ZRX1100 PARTS DIAGRAM

Brake Pedal/Torque Link

F2260



1999 ZRX1100 PARTS LIST

Brake Pedal/Torque Link

| ITEM NAME | PART NUMBER | QUANTITY |
|---|-------------|----------|
| BOLT-UPSET-WS (Ref # 180) | 180H0614 | 1 |
| PIN-COTTER,2.0X15 (Ref # 550) | 550D2015 | 3 |
| BRACKET,RR BRAKE SWITCH (Ref # 11044) | 11044-1107 | 1 |
| LEVER-COMP,PEDAL (Ref # 13236) | 13236-1293 | 1 |
| ROD-TORQUE (Ref # 43007) | 43007-1184 | 1 |
| BOOT (Ref # 49006) | 49006-1218 | 1 |
| BOOT (Ref # 49006A) | 49006-1275 | 1 |
| NUT,8MM (Ref # 92015) | 92015-1432 | 1 |
| NUT,10MM (Ref # 92015A) | 92015-1883 | 1 |
| PIN,8MM (Ref # 92043) | 92043-1303 | 1 |
| SPRING,EXHAUST CONNECTING (Ref # 92144) | 92144-1470 | 1 |
| BOLT,FLANGED,8X47 (Ref # 92150) | 92150-1539 | 1 |
| BOLT,10X39.5 (Ref # 92150A) | 92150-1598 | 1 |