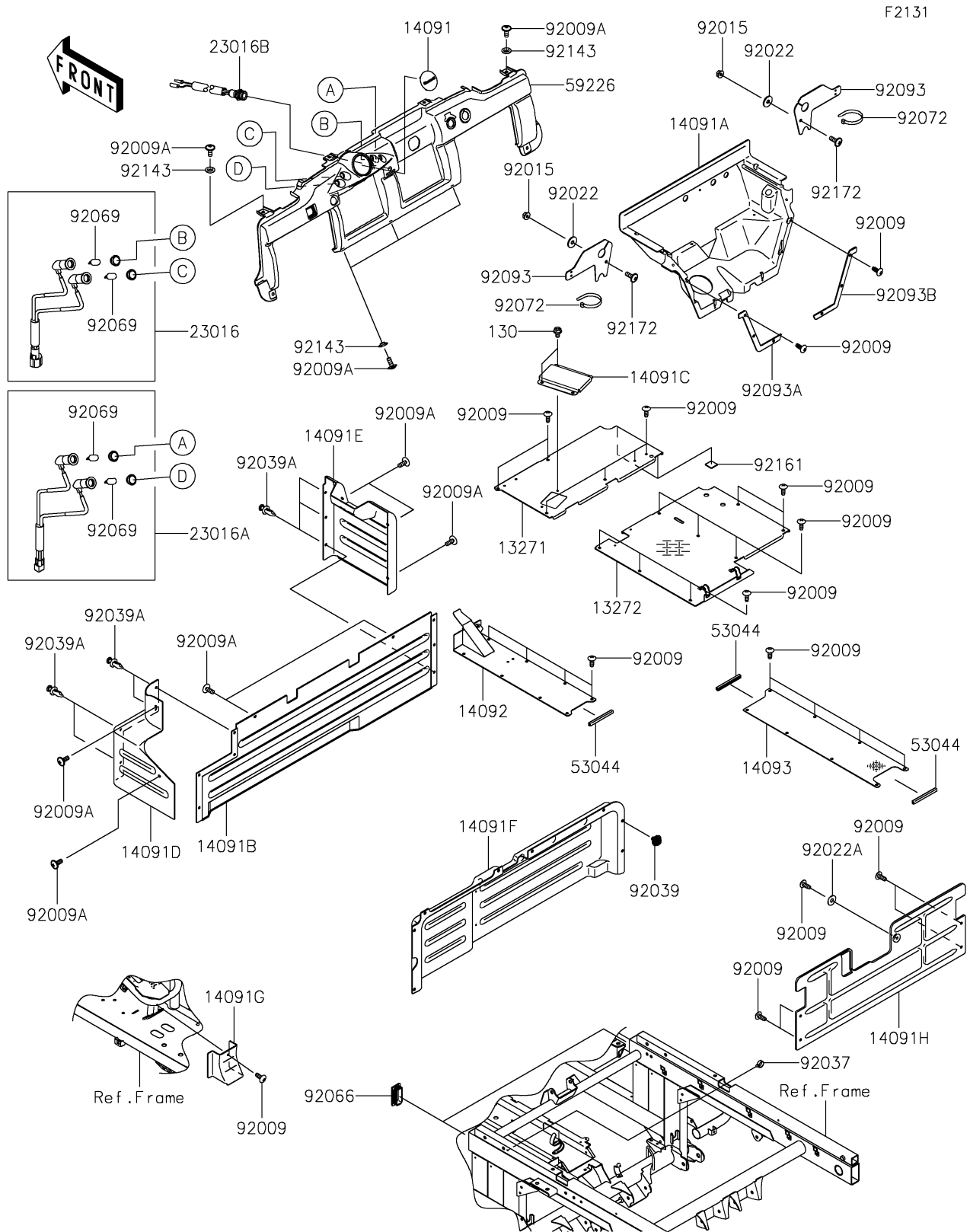


# 2021 MULE™ 4010 TRANS4x4® CAMO PARTS DIAGRAM

## Frame Fittings



## 2021 MULE™ 4010 TRANS4x4® CAMO PARTS LIST

### Frame Fittings

ITEM NAME	PART NUMBER	QUANTITY
PLATE,FLOOR,RH (Ref # 13271)	13271-7606	1
PLATE,FLOOR,RH (Ref # 13272)	13272-2927	1
COVER,SPEEDOMETER,F.BLACK (Ref # 14091)	14091-0929-6Z	1
COVER,FLOOR (Ref # 14091A)	14091-1378	1
COVER,FRONT SEAT,CNT (Ref # 14091B)	14091-7531	1
COVER (Ref # 14091C)	14091-7536	1
COVER,FRONT SEAT,LH (Ref # 14091D)	14091-7541	1
COVER,FRONT SEAT,RH (Ref # 14091E)	14091-7542	1
COVER,FRONT SEAT,RR,LWR (Ref # 14091F)	14091-7549	1
COVER,PARKING CABLE (Ref # 14091G)	14091-7551	1
COVER,REAR SEAT,LWR (Ref # 14091H)	14091-7557	1
COVER,FLOOR,CNT,FR (Ref # 14092)	14092-0832	1
COVER,FLOOR,CNT,RR (Ref # 14093)	14093-1035	1
LAMP-ASSY,PARKING&WATER TEMP (Ref # 23016)	23016-0649	1
LAMP-ASSY,DFI&OIL PRESSURE (Ref # 23016A)	23016-0650	1
LAMP-ASSY,LED (Ref # 23016B)	23016-0651	1
TRIM,L=111 (Ref # 53044)	53044-7502	3
PANEL-CONTROL (Ref # 59226)	59226-0749	1
SCREW,TAPPING,6X16 (Ref # 92009)	92009-1166	42
SCREW,6X16 (Ref # 92009A)	92009-1621	12
NUT,FLANGED,6MM (Ref # 92015)	92015-1367	2
WASHER,6.5X20X1.6,BLACK (Ref # 92022)	92022-1346	2
WASHER,7X18X1.2 (Ref # 92022A)	92022-1545	1
CLAMP,HOSE (Ref # 92037)	92037-1827	1
RIVET (Ref # 92039)	92039-0768	8
RIVET (Ref # 92039A)	92039-0776	7
PLUG (Ref # 92066)	92066-7505	2
BULB,12V 1.7W,T10WB (Ref # 92069)	92069-0103	4
BAND,L=368.3 (Ref # 92072)	92072-3872	2

## 2021 MULE™ 4010 TRANS4x4® CAMO PARTS LIST

### Frame Fittings

ITEM NAME	PART NUMBER	QUANTITY
SEAL,LOWER COVER (Ref # 92093)	92093-0181	2
SEAL,FRONT FENDER,LH (Ref # 92093A)	92093-1293	1
SEAL,FRONT FENDER,RH (Ref # 92093B)	92093-1294	1
COLLAR (Ref # 92143)	92143-1087	5
DAMPER (Ref # 92161)	92161-0020	2
SCREW,6X18 (Ref # 92172)	92172-0002	2
BOLT-FLANGED,6X10 (Ref # 130)	130BA0610	2