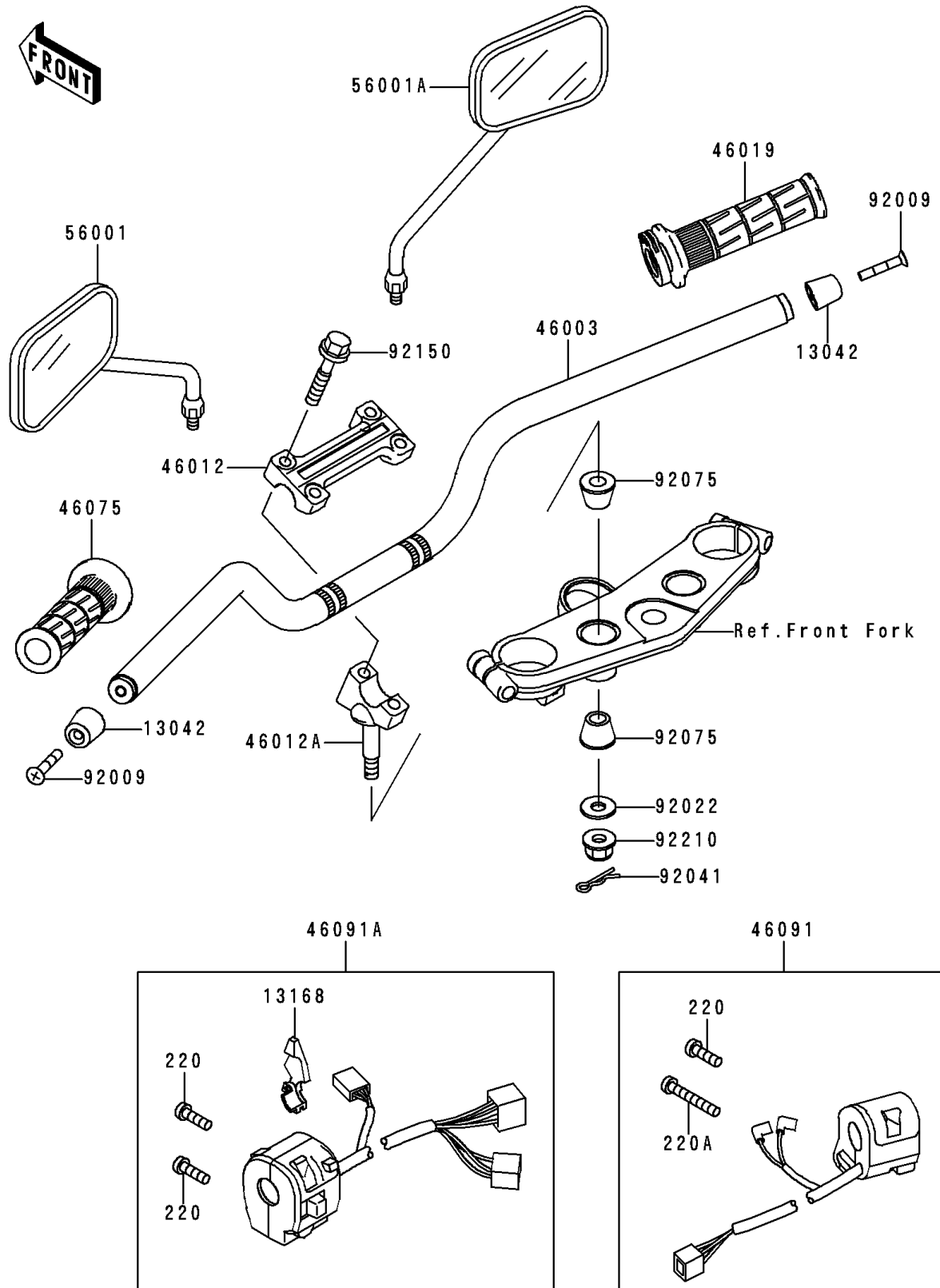


# 1999 ZRX1100 PARTS DIAGRAM

Handlebar

F2310



# 1999 ZRX1100 PARTS LIST

## Handlebar

ITEM NAME	PART NUMBER	QUANTITY
SCREW-PAN-CROS (Ref # 220)	220C0525	3
SCREW-PAN-CROS (Ref # 220A)	220C0540	1
WEIGHT,HANDLE (Ref # 13042)	13042-1005	2
LEVER,CHOKE (Ref # 13168)	13168-1516	1
HANDLE (Ref # 46003)	46003-1461	1
HOLDER-HANDLE,UPP (Ref # 46012)	46012-1266	1
HOLDER-HANDLE,LWR (Ref # 46012A)	46012-1274	2
GRIP-ASSY,THROTTLE (Ref # 46019)	46019-1090	1
GRIP,LH (Ref # 46075)	46075-1144	1
HOUSING-ASSY-CONTROL,RH (Ref # 46091)	46091-1672	1
HOUSING-ASSY-CONTROL,LH (Ref # 46091A)	46091-1716	1
MIRROR-ASSY,LH (Ref # 56001)	56001-1473	1
MIRROR-ASSY,RH (Ref # 56001A)	56001-1474	1
SCREW,8X45 (Ref # 92009)	92009-1257	2
WASHER,10.5X26X2.3,BLACK (Ref # 92022)	92022-1396	2
COTTER,8MM (Ref # 92041)	92041-1060	2
DAMPER,HANDLE HOLDER (Ref # 92075)	92075-039	4
BOLT,FLANGED,8X35 (Ref # 92150)	92150-1835	4
NUT,LOCK,FLANGED,10MM (Ref # 92210)	92210-1081	2