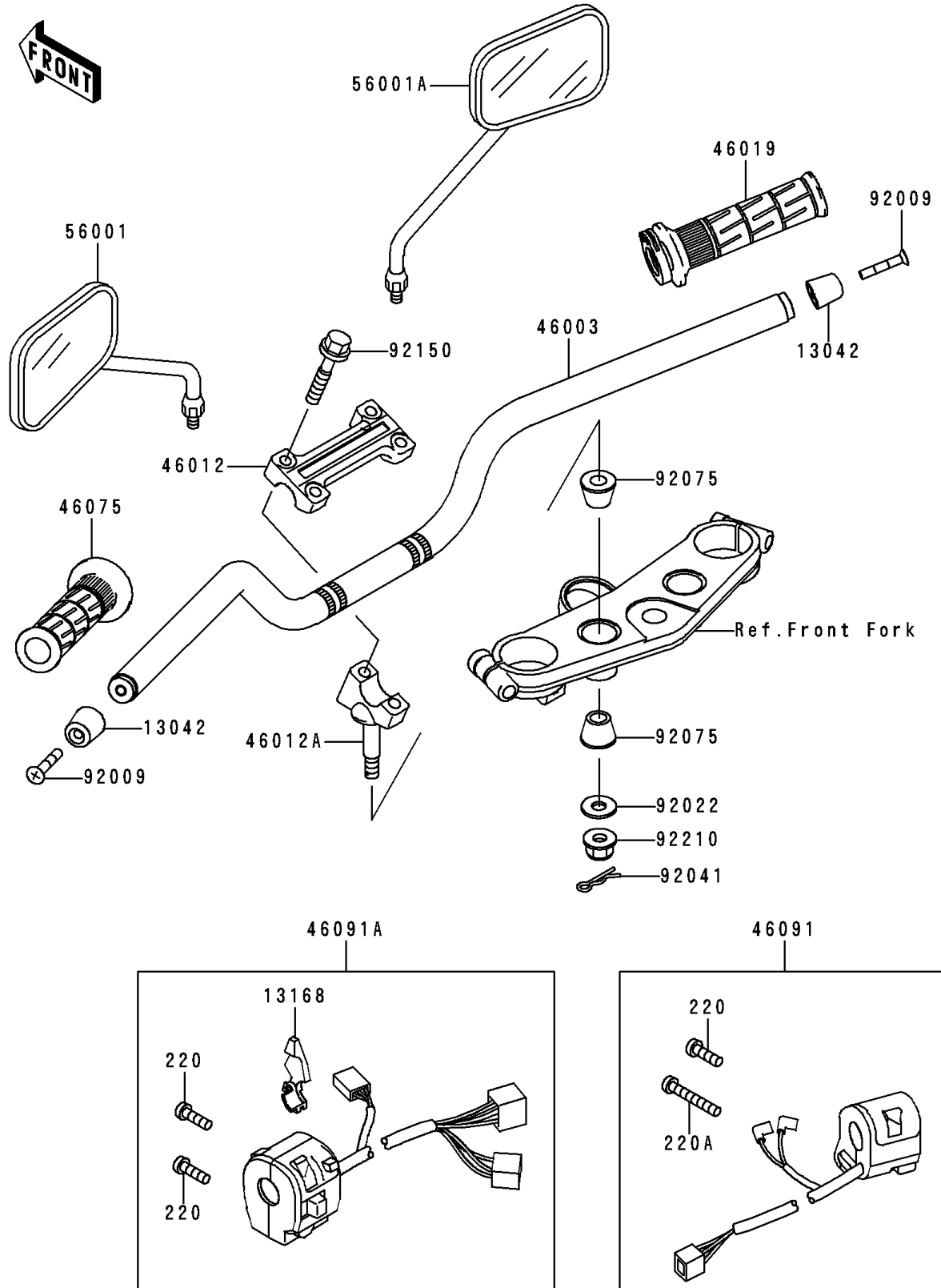


2000 ZRX1100 PARTS DIAGRAM

Handlebar

F2310



2000 ZRX1100 PARTS LIST

Handlebar

| ITEM NAME | PART NUMBER | QUANTITY |
|--|-------------|----------|
| SCREW-PAN-CROS (Ref # 220) | 220C0525 | 3 |
| SCREW-PAN-CROS (Ref # 220A) | 220C0540 | 1 |
| WEIGHT,HANDLE (Ref # 13042) | 13042-1005 | 2 |
| LEVER,CHOKE (Ref # 13168) | 13168-1516 | 1 |
| HANDLE (Ref # 46003) | 46003-1461 | 1 |
| HOLDER-HANDLE,UPP (Ref # 46012) | 46012-1266 | 1 |
| HOLDER-HANDLE,LWR (Ref # 46012A) | 46012-1274 | 2 |
| GRIP-ASSY,THROTTLE (Ref # 46019) | 46019-1090 | 1 |
| GRIP,LH (Ref # 46075) | 46075-1144 | 1 |
| HOUSING-ASSY-CONTROL,RH (Ref # 46091) | 46091-1672 | 1 |
| HOUSING-ASSY-CONTROL,LH (Ref # 46091A) | 46091-1716 | 1 |
| MIRROR-ASSY,LH (Ref # 56001) | 56001-1473 | 1 |
| MIRROR-ASSY,RH (Ref # 56001A) | 56001-1474 | 1 |
| SCREW,8X45 (Ref # 92009) | 92009-1257 | 2 |
| WASHER,10.5X26X2.3,BLACK (Ref # 92022) | 92022-1396 | 2 |
| COTTER,8MM (Ref # 92041) | 92041-1060 | 2 |
| DAMPER,HANDLE HOLDER (Ref # 92075) | 92075-039 | 4 |
| BOLT,FLANGED,8X35 (Ref # 92150) | 92150-1835 | 4 |
| NUT,LOCK,FLANGED,10MM (Ref # 92210) | 92210-1081 | 2 |