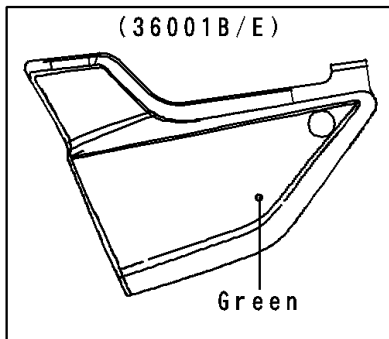
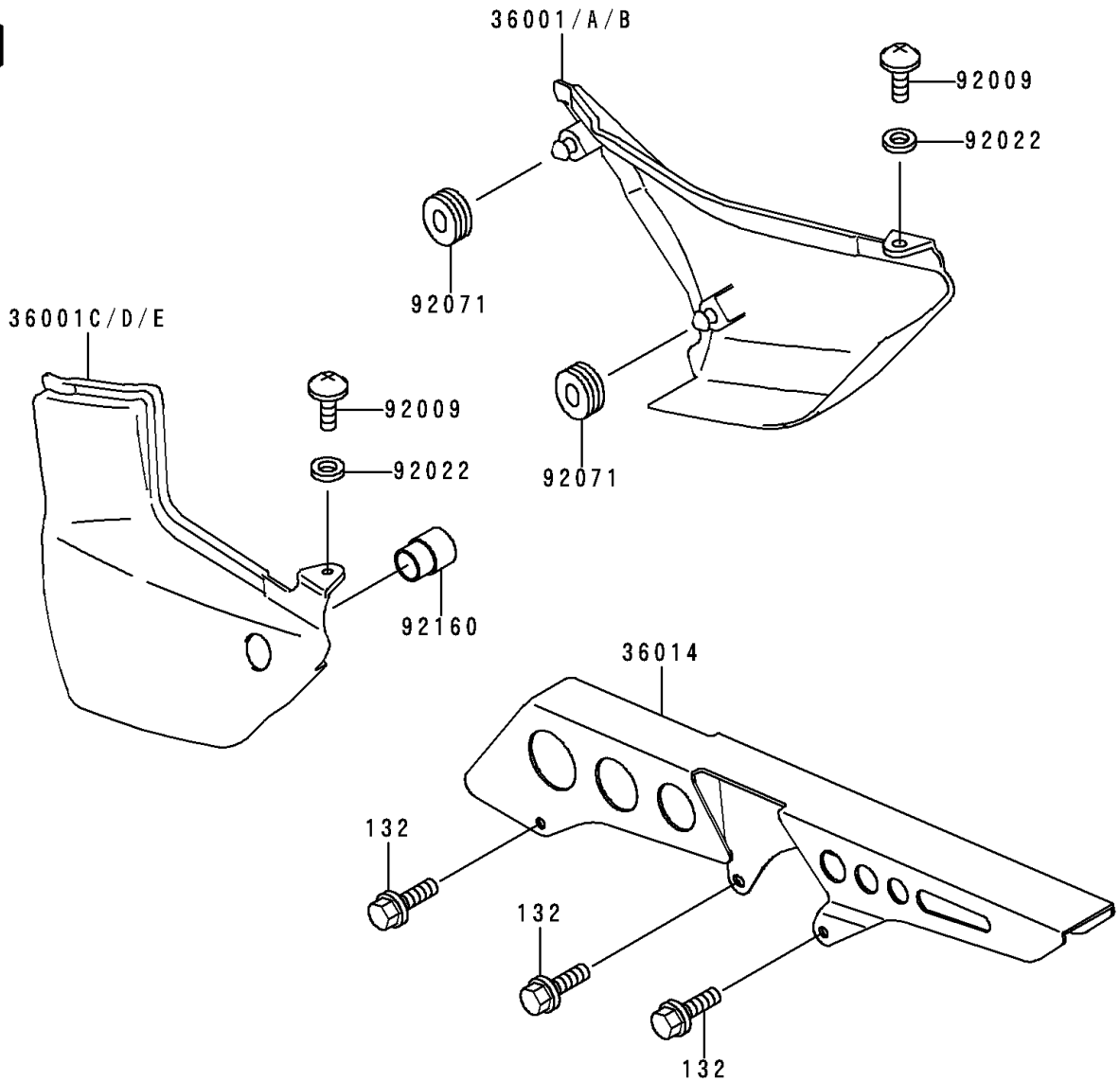


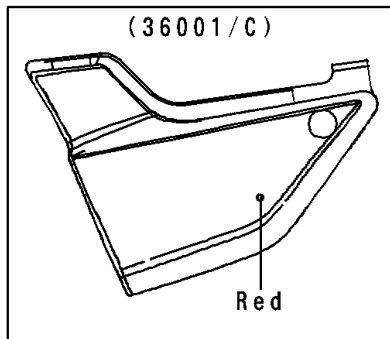
1999 ZRX1100 PARTS DIAGRAM

Side Covers/Chain Cover

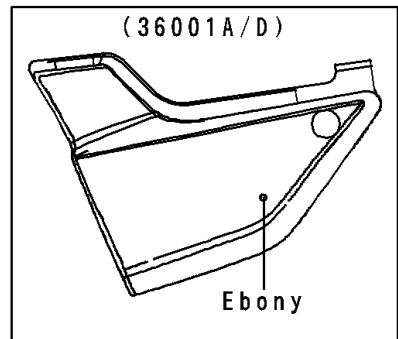
F2610



WOD



WOD



WOD

1999 ZRX1100 PARTS LIST

Side Covers/Chain Cover

ITEM NAME	PART NUMBER	QUANTITY
BOLT-FLANGED-SMALL,6X10 (Ref # 132)	132J0610	3
COVER-SIDE,RH,P.J.GREEN (Ref # 36001B)	36001-1575-U5	1
COVER-SIDE,LH,P.J.GREEN (Ref # 36001E)	36001-1597-U5	1
CASE-CHAIN (Ref # 36014)	36014-1205	1
SCREW,6X14 (Ref # 92009)	92009-1288	2
WASHER,6.5X16X1.0 (Ref # 92022)	92022-1654	2
GROMMET (Ref # 92071)	92071-056	4
DAMPER (Ref # 92160)	92160-1871	1